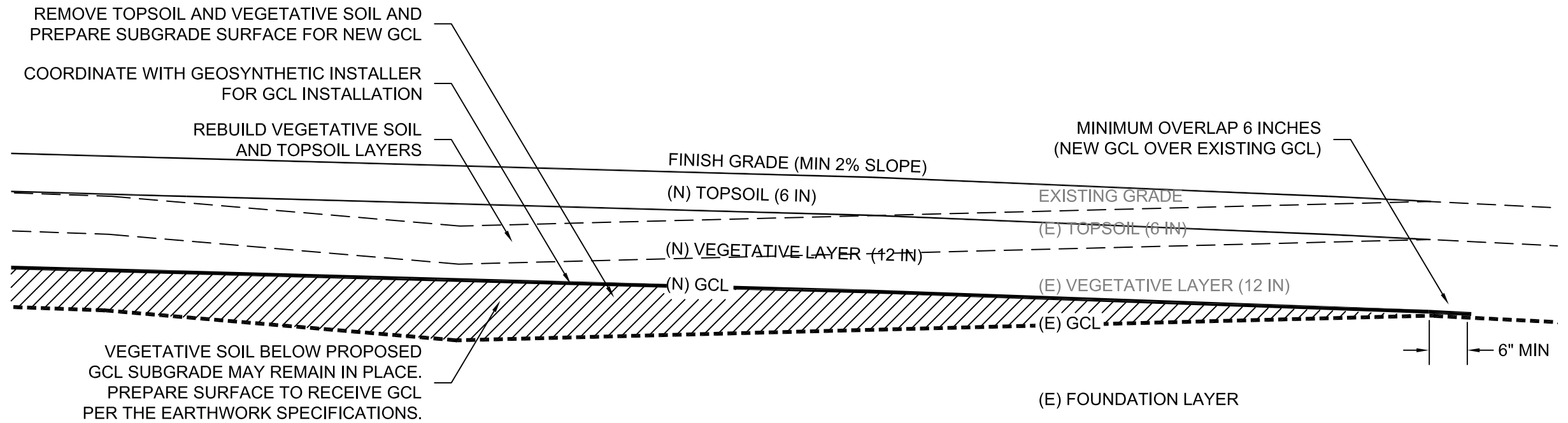
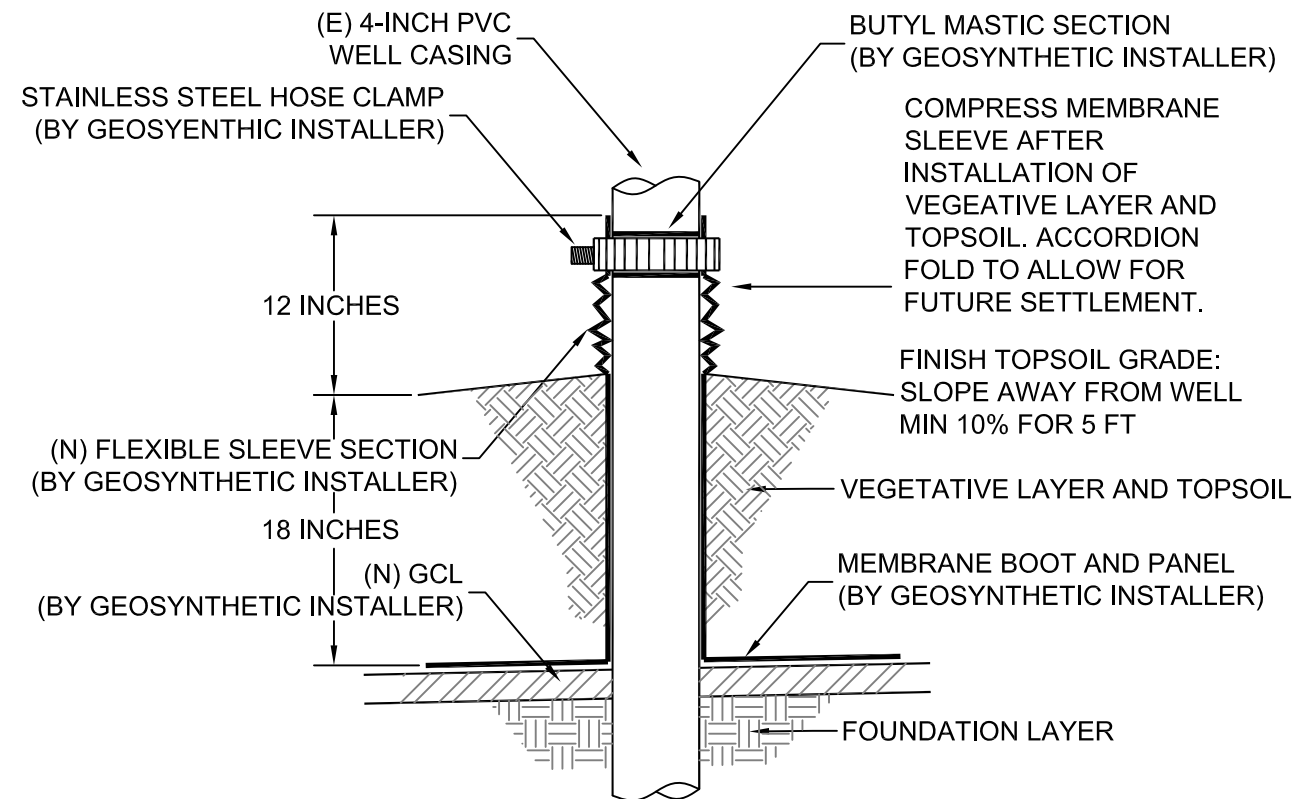


TYPICAL REPAIR SECTION
NOT TO SCALE

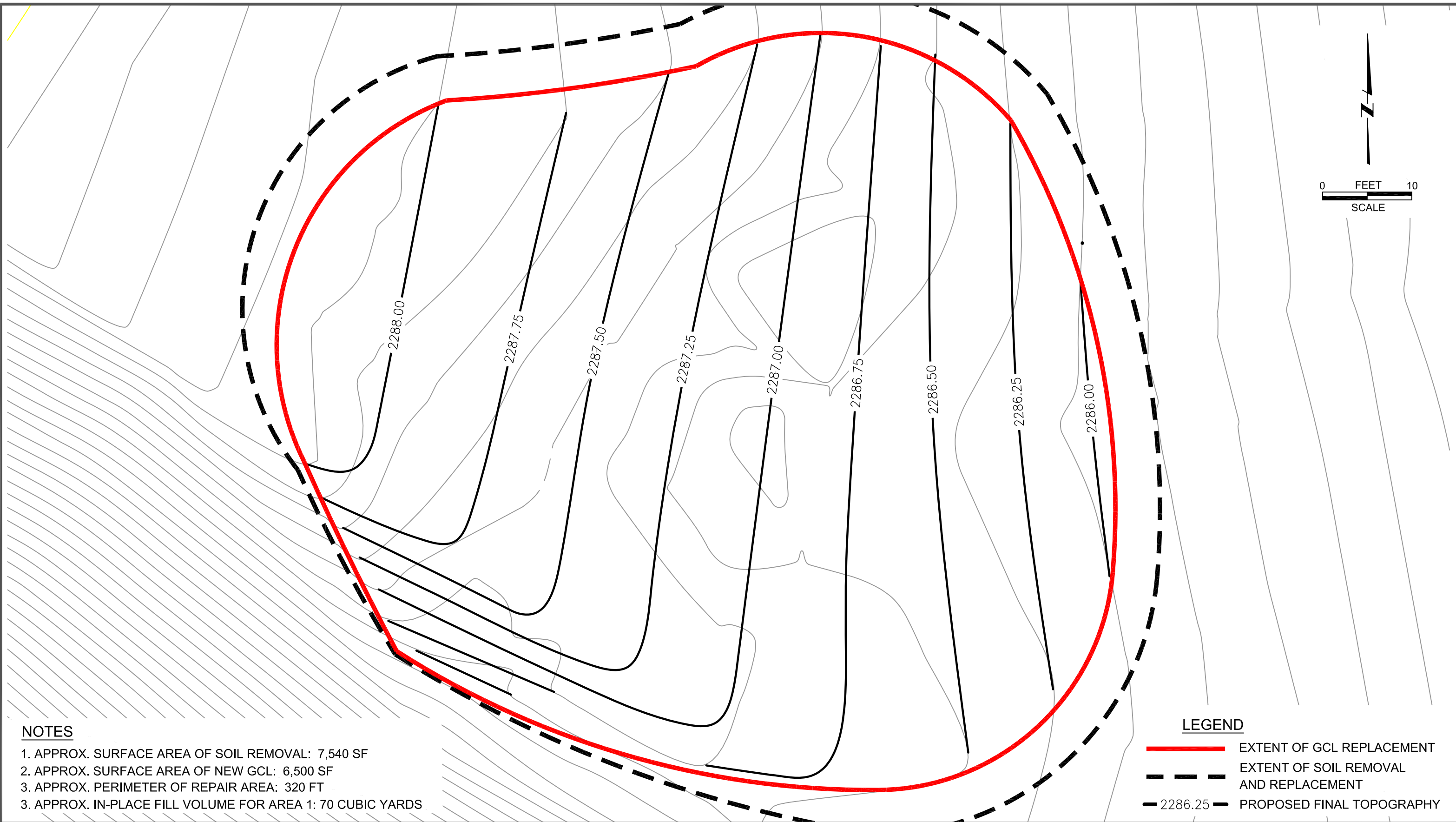


TYPICAL WELL BOOT
NOT TO SCALE

WELL BOOT AND NEW GCL TO BE INSTALLED BY GEOSYNTHETICS INSTALLER UNDER SEPARATE CONTRACT. CONTRACTOR IS RESPONSIBLE FOR COORDINATING WITH GEOSYNTHETICS INSTALLER REGARDING CONTRACTOR'S EARTHWORK SCHEDULE.



NO.	REVISIONS	DATE	ORDER NO.:	R5-2014-0022
			DRAWN BY:	BOTSFORD
			CHECKED BY:	MUIR
			H&K PROJECT:	4142-01
			DATE:	FEBRUARY 2017



NOTES

- 1. APPROX. SURFACE AREA OF SOIL REMOVAL: 7,540 SF
- 2. APPROX. SURFACE AREA OF NEW GCL: 6,500 SF
- 3. APPROX. PERIMETER OF REPAIR AREA: 320 FT
- 3. APPROX. IN-PLACE FILL VOLUME FOR AREA 1: 70 CUBIC YARDS

LEGEND

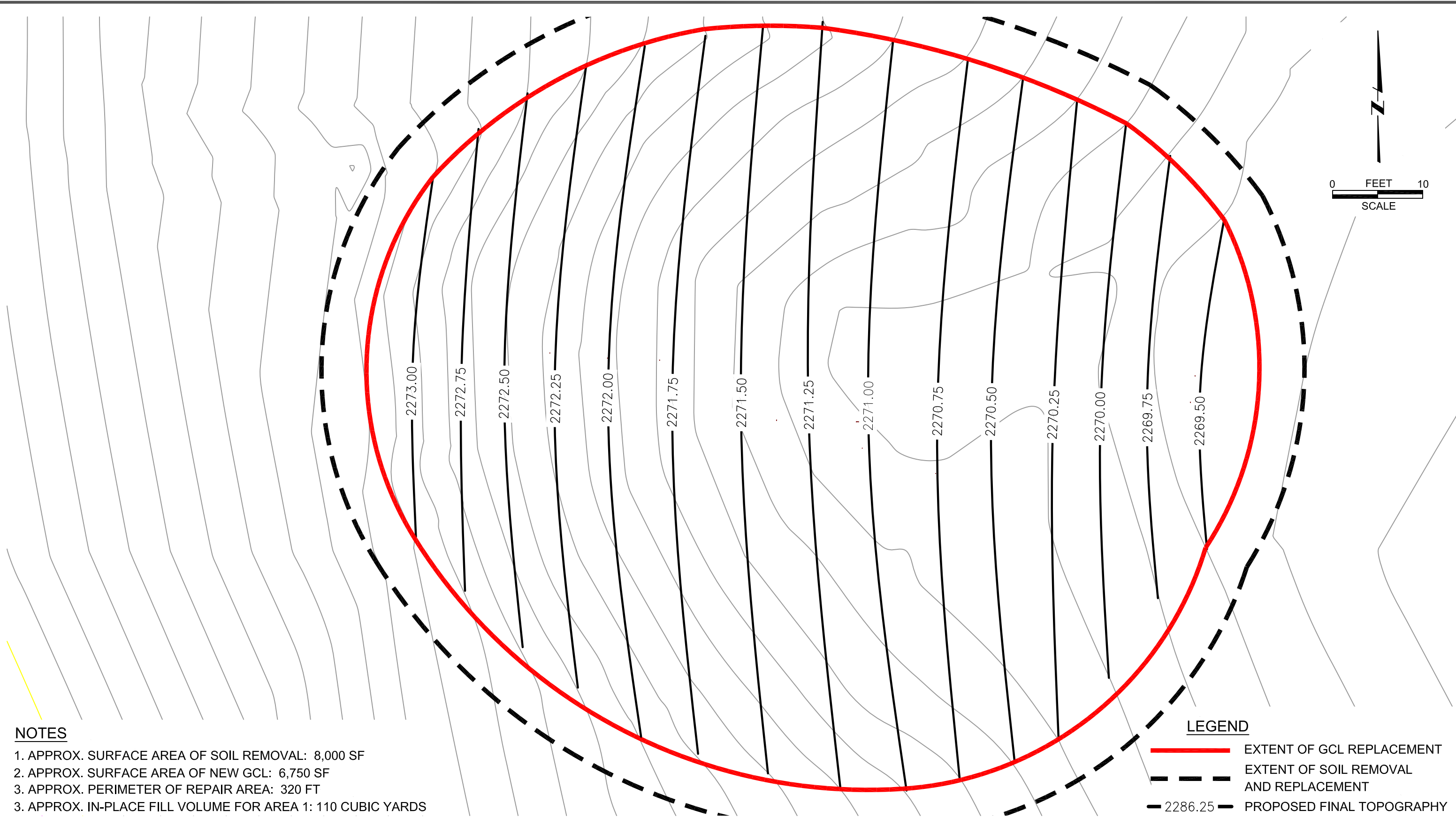
- EXTENT OF GCL REPLACEMENT
- - - - - EXTENT OF SOIL REMOVAL AND REPLACEMENT
- - - - - 2286.25 PROPOSED FINAL TOPOGRAPHY

HK HOLDREGG & KULL
 CONSULTING ENGINEERS • GEOLOGISTS
 792 SEARLS AVENUE, NEVADA CITY, CALIFORNIA 95959
 (530) 478-1305 phone www.HOLDREGGandKULL.com (530) 478-1019 fax
 NEVADA CITY • TRUCKEE • CHICO • YUBA CITY



REPAIR AREA 1
 McCOURTNEY ROAD LANDFILL
 NEVADA COUNTY, CALIFORNIA

NO.	REVISIONS	DATE	ORDER NO.:	R5-2014-0022
			DRAWN BY:	BOTSFORD
			CHECKED BY:	MUIR
			H&K PROJECT:	4142-01
			DATE:	FEBRUARY 2017



NOTES

- 1. APPROX. SURFACE AREA OF SOIL REMOVAL: 8,000 SF
- 2. APPROX. SURFACE AREA OF NEW GCL: 6,750 SF
- 3. APPROX. PERIMETER OF REPAIR AREA: 320 FT
- 3. APPROX. IN-PLACE FILL VOLUME FOR AREA 1: 110 CUBIC YARDS

LEGEND

- EXTENT OF GCL REPLACEMENT
- - - - - EXTENT OF SOIL REMOVAL AND REPLACEMENT
- - - - - 2286.25 PROPOSED FINAL TOPOGRAPHY

HK HOLDREGG & KULL
 CONSULTING ENGINEERS • GEOLOGISTS
 792 SEARLS AVENUE, NEVADA CITY, CALIFORNIA 95959
 (530) 478-1305 phone www.HOLDREGGandKULL.com (530) 478-1019 fax
 NEVADA CITY • TRUCKEE • CHICO • YUBA CITY



REPAIR AREA 2
 McCOURTNEY ROAD LANDFILL
 NEVADA COUNTY, CALIFORNIA

NO.	REVISIONS	DATE	ORDER NO.:	R5-2014-0022
			DRAWN BY:	BOTSFORD
			CHECKED BY:	MUIR
			H&K PROJECT:	4142-01
			DATE:	FEBRUARY 2017