

NOTES:

1. PROPERTY PROFILE EXISTING

EXISTING PARCEL #	AP.N.	ZONING	EXISTING AREA	LOT POTENTIAL
1	38-500-01 38-500-02	AG-30 AG-30	19.62 Ac.	1
2	38-120-06	R1-X	0.67 Ac.	1
TOTALS:			20.29 Ac.	2

2. PROPERTY PROFILE PROPOSED

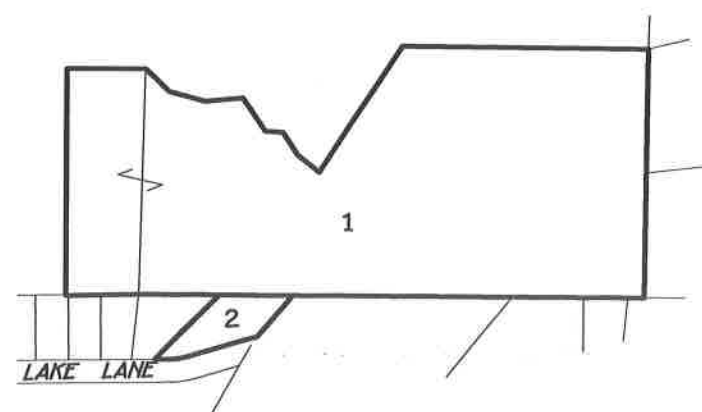
PROPOSED PARCEL #	AP.N.	PROPOSED AREA	LOT POTENTIAL
1	38-500-01 + PTN. 38-500-02	18.62 Ac.	1
2	PTN. 38-500-02 + 38-120-06	1.67 Ac.	1
TOTALS:		20.29 Ac.	2

3. PROPERTY PROFILE:
 A.P.N.'S: 38-120-06, 38-500-01 + 38-500-02
 AREA: 20.67 Ac.
 ZONING: R1-X + AG-30
 USE: EST
4. COMMUNITY SERVICE INFORMATION:
 SCHOOL DISTRICTS: NEVADA JOINT UNION HIGH SCHOOL DISTRICT
 NEVADA CITY ELEMENTARY SCHOOL DISTRICT
 NEVADA COUNTY CONSOLIDATED FIRE PROTECTION DISTRICT
 FIRE PROTECTION: AT+T
 TELEPHONE: PACIFIC GAS AND ELECTRIC
 POWER: INDIVIDUAL SEPTIC SYSTEMS
 SEWAGE DISPOSAL: NEVADA IRRIGATION DISTRICT
 WATER:

5. CONTOURS SHOWN HEREON WERE EXTRAPOLATED FROM THE "NORTH BLOOMFIELD" U.S.G.S. 7.5 MINUTE QUADRANGLE. THE CONTOUR INTERVAL IS 40 FEET.

LEGEND:

APPROXIMATE SLOPES GREATER THAN 30%



EXISTING PARCEL CONFIGURATION

PROPOSED PARCEL CONFIGURATION

OWNER/APPLICANT:

PATRICIA A. FRAGA TRUST
 PO BOX 471
 CLAYTON, CA 94517
 (530) 265-8676

CLAUDIA ANN BAKER
 14372 BURLINGTON PARKWAY
 PENN VALLEY, CA 95946
 (530) 478-1036

PREPARED BY:

ANDREW R. CASSANO, L.S. 4370
 NEVADA CITY ENGINEERING, INC.
 505 COYOTE STREET - SUITE B
 NEVADA CITY, CA 95959
 (530) 265-6911



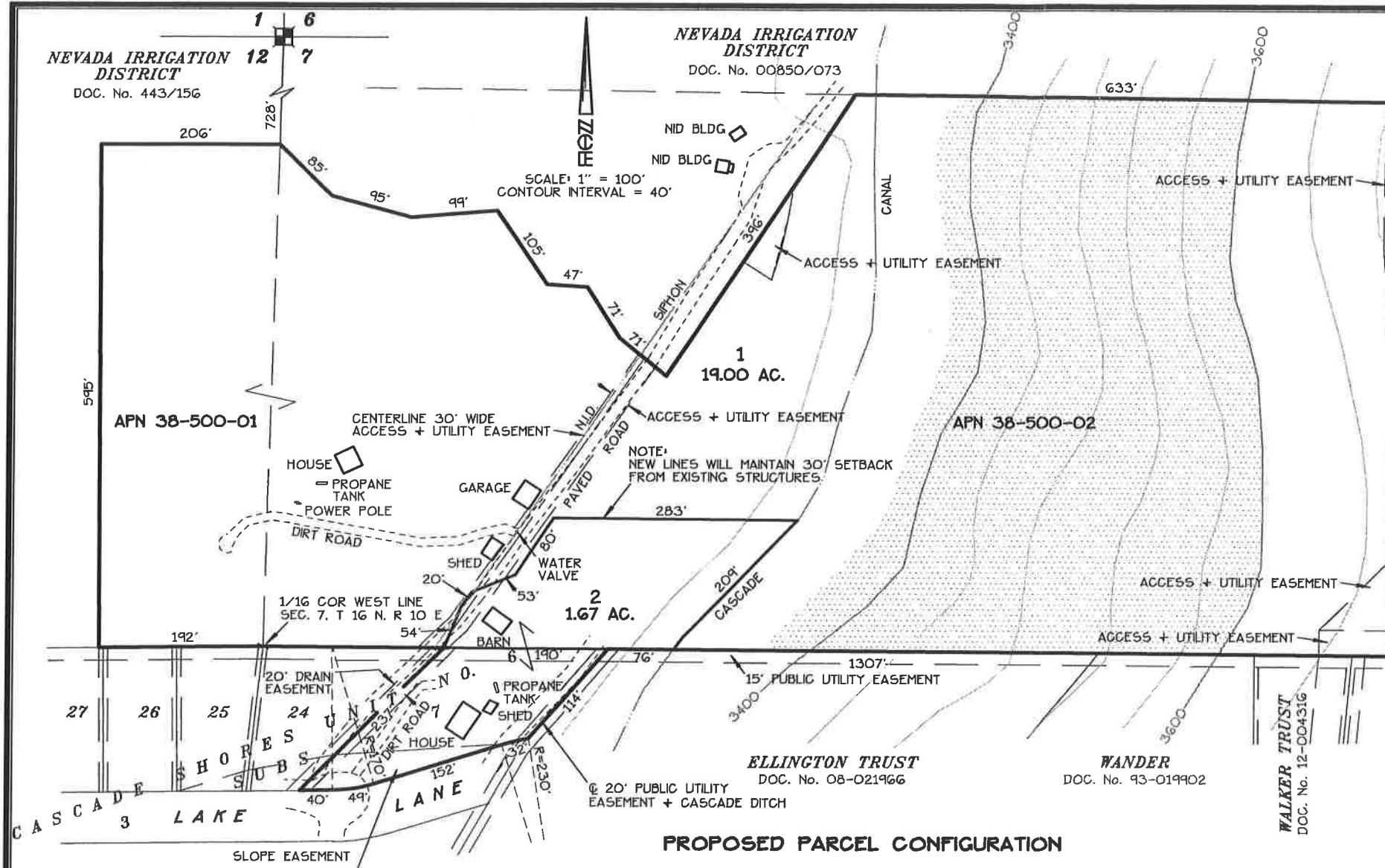
THIS IS A PLANNING DRAWING AND DOES NOT REPRESENT A FORMAL BOUNDARY OR FEATURE SURVEY

PROPOSED LOT LINE ADJUSTMENT FOR

FRAGA TRUST + CLAUDIA A. BAKER
 BEING

LOT 23 OF CASCADE SHORES UNIT NO. 6 BOOK 3 SUBDIVISIONS PAGE 7 AND PORTION OF LOT 1 SECTION 7, T. 16 N., R. 9 E., M.D.M.

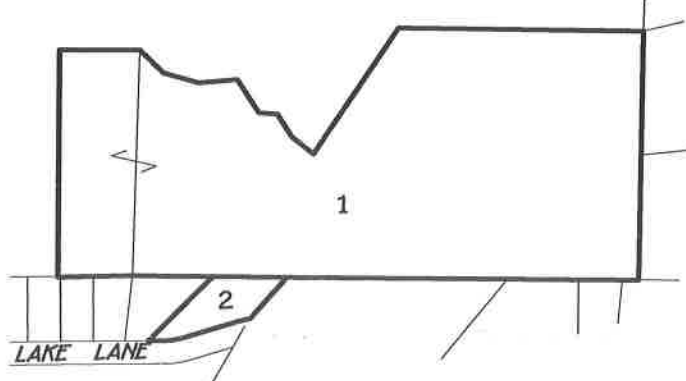
WITHIN THE UNINCORPORATED TERRITORY OF
NEVADA COUNTY, CALIFORNIA
 SCALE: 1" = 100' NOVEMBER, 2017
NEVADA CITY ENGINEERING, INC.
 505 COYOTE STREET * P.O. BOX 1437 * NEVADA CITY * CALIFORNIA



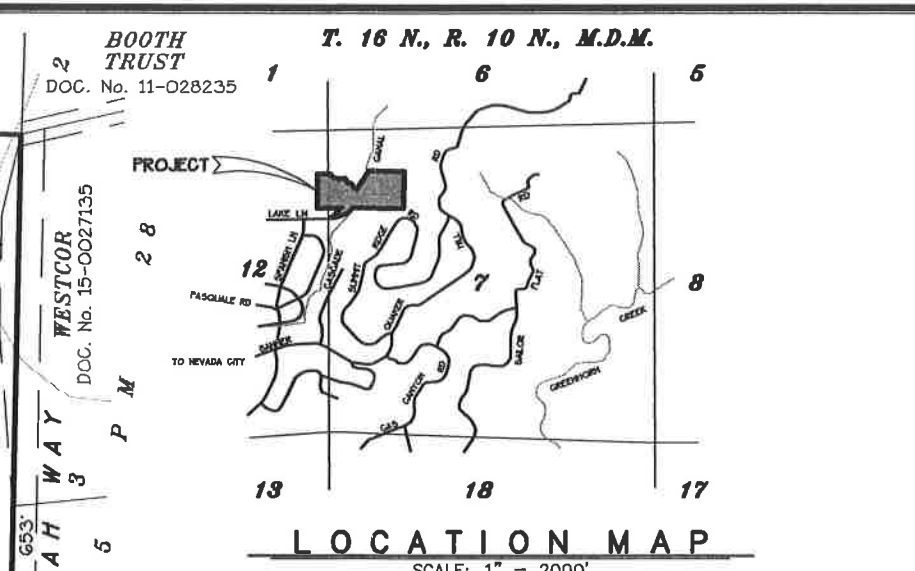
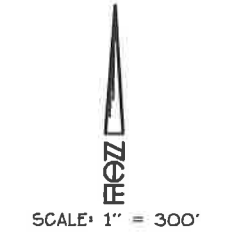
PROPOSED PARCEL CONFIGURATION

LEGEND:

APPROXIMATE SLOPES GREATER THAN 30%



EXISTING PARCEL CONFIGURATION



NOTES:

- PROPERTY PROFILE EXISTING

EXISTING PARCEL #	AP.N.	ZONING	EXISTING AREA	LOT POTENTIAL
1	38-500-01 38-500-02	AG-30 AG-30	19.62 Ac.	1
2	38-120-06	R1-X	0.67 Ac.	1
TOTALS:	--	--	20.29 Ac.	2
- PROPERTY PROFILE PROPOSED

PROPOSED PARCEL #	AP.N.	PROPOSED AREA	LOT POTENTIAL
1	38-500-01 + PTN. 38-500-02	18.62 Ac.	1
2	PTN. 38-500-02 + 38-120-06	1.67 Ac.	1
TOTALS:	--	20.29 Ac.	2
- PROPERTY PROFILE:
A.P.N.'S: 38-120-06, 38-500-01 + 38-500-02
AREA: 20.67 Ac.
ZONING: R1-X + AG-30
USE: EST
- COMMUNITY SERVICE INFORMATION:
SCHOOL DISTRICTS: NEVADA JOINT UNION HIGH SCHOOL DISTRICT, NEVADA CITY ELEMENTARY SCHOOL DISTRICT, NEVADA COUNTY CONSOLIDATED FIRE PROTECTION DISTRICT
FIRE PROTECTION: AT+T
TELEPHONE: PACIFIC GAS AND ELECTRIC
POWER: INDIVIDUAL SEPTIC SYSTEMS
SEWAGE DISPOSAL: NEVADA IRRIGATION DISTRICT
WATER: NEVADA IRRIGATION DISTRICT
- CONTOURS SHOWN HEREON WERE EXTRAPOLATED FROM THE "NORTH BLOOMFIELD" U.S.G.S. 7.5 MINUTE QUADRANGLE. THE CONTOUR INTERVAL IS 40 FEET.

OWNER/APPLICANT:

PATRICIA A. FRAGA TRUST PO BOX 471 CLAYTON, CA 94517 (530) 265-8676
CLAUDIA ANN BAKER 14372 BURLINGTON PARKWAY PENN VALLEY, CA 95946 (530) 478-1036

PREPARED BY:

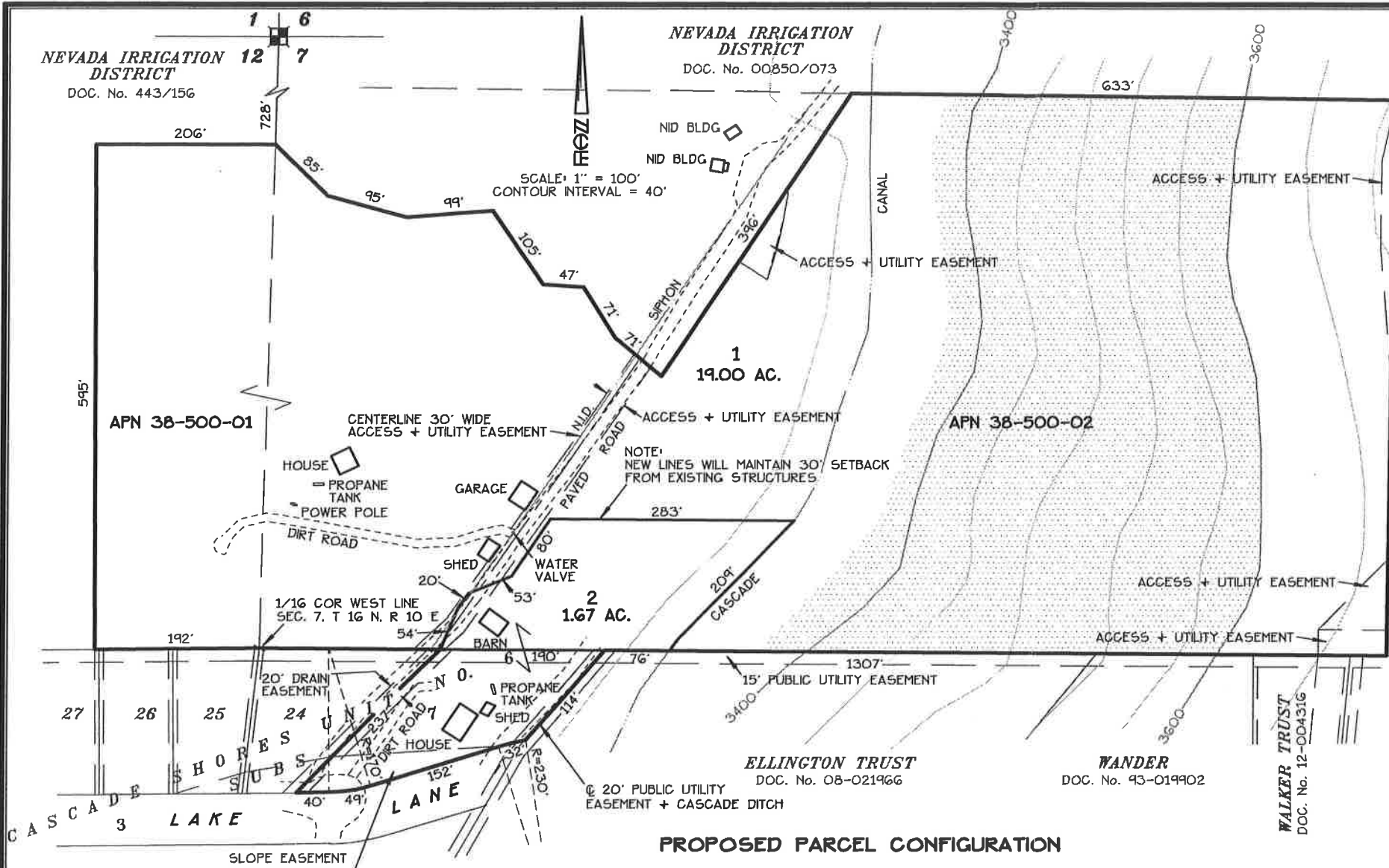
ANDREW R. CASSANO, L.S. 4370 NEVADA CITY ENGINEERING, INC. 505 COYOTE STREET - SUITE B NEVADA CITY, CA 95959 (530) 265-6911



THIS IS A PLANNING DRAWING AND DOES NOT REPRESENT A FORMAL BOUNDARY OR FEATURE SURVEY

PROPOSED LOT LINE ADJUSTMENT FOR FRAGA TRUST + CLAUDIA A. BAKER BEING

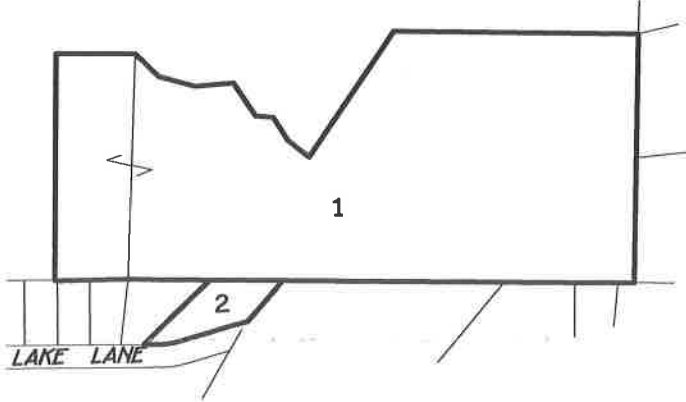
LOT 23 OF CASCADE SHORES UNIT NO. 6 BOOK 3 SUBDIVISIONS PAGE 7 AND PORTION OF LOT 1 SECTION 7, T. 16 N., R. 9 E., M.D.M.
WITHIN THE UNINCORPORATED TERRITORY OF
NEVADA COUNTY, CALIFORNIA
SCALE: 1" = 100' NOVEMBER, 2017
NEVADA CITY ENGINEERING, INC.
505 COYOTE STREET * P.O. BOX 1437 * NEVADA CITY * CALIFORNIA



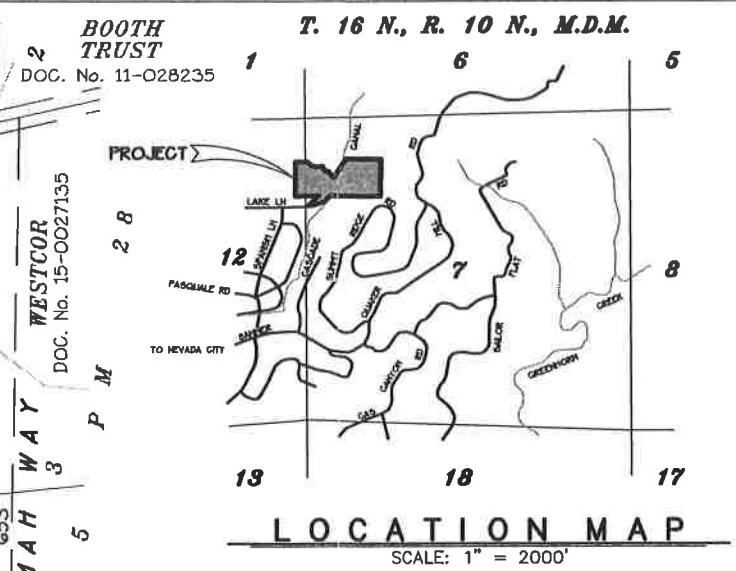
PROPOSED PARCEL CONFIGURATION

LEGEND:

APPROXIMATE SLOPES GREATER THAN 30%



EXISTING PARCEL CONFIGURATION



NOTES:

- PROPERTY PROFILE EXISTING

EXISTING PARCEL #	AP.N.	ZONING	EXISTING AREA	LOT POTENTIAL
1	38-500-01 38-500-02	AG-30 AG-30	19.62 Ac.	1
2	38-120-06	R1-X	0.67 Ac.	1
TOTALS:			20.29 Ac.	2
- PROPERTY PROFILE PROPOSED

PROPOSED PARCEL #	AP.N.	PROPOSED AREA	LOT POTENTIAL
1	38-500-01 + PTN. 38-500-02	18.62 Ac.	1
2	PTN. 38-500-02 + 38-120-06	1.67 Ac.	1
TOTALS:		20.29 Ac.	2
- PROPERTY PROFILE:

A.P.N.'S: 38-120-06, 38-500-01 + 38-500-02
 AREA: 20.67 Ac.
 ZONING: R1-X + AG-30
 USE: EST
- COMMUNITY SERVICE INFORMATION:

SCHOOL DISTRICTS: NEVADA JOINT UNION HIGH SCHOOL DISTRICT
 NEVADA CITY ELEMENTARY SCHOOL DISTRICT
 NEVADA COUNTY CONSOLIDATED FIRE PROTECTION DISTRICT
 FIRE PROTECTION: AT+T
 TELEPHONE: PACIFIC GAS AND ELECTRIC
 POWER: INDIVIDUAL SEPTIC SYSTEMS
 SEWAGE DISPOSAL: NEVADA IRRIGATION DISTRICT
 WATER: NEVADA IRRIGATION DISTRICT
- CONTOURS SHOWN HEREON WERE EXTRAPOLATED FROM THE "NORTH BLOOMFIELD" U.S.G.S. 7.5 MINUTE QUADRANGLE. THE CONTOUR INTERVAL IS 40 FEET.

OWNER/APPLICANT:

PATRICIA A. FRAGA TRUST CLAUDIA ANN BAKER
 PO BOX 471 14372 BURLINGTON PARKWAY
 CLAYTON, CA 94517 PENN VALLEY, CA 95946
 (530) 265-8676 (530) 478-1036

PREPARED BY:

ANDREW R. CASSANO, L.S. 4370
 NEVADA CITY ENGINEERING, INC.
 505 COYOTE STREET - SUITE B
 NEVADA CITY, CA 95959
 (530) 265-6911



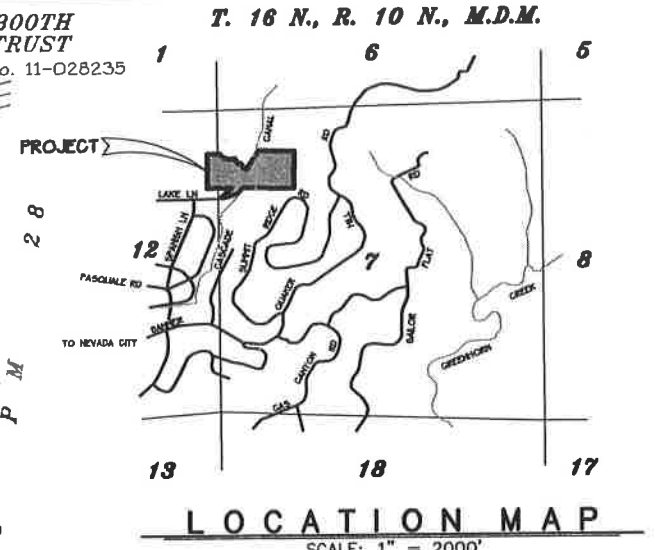
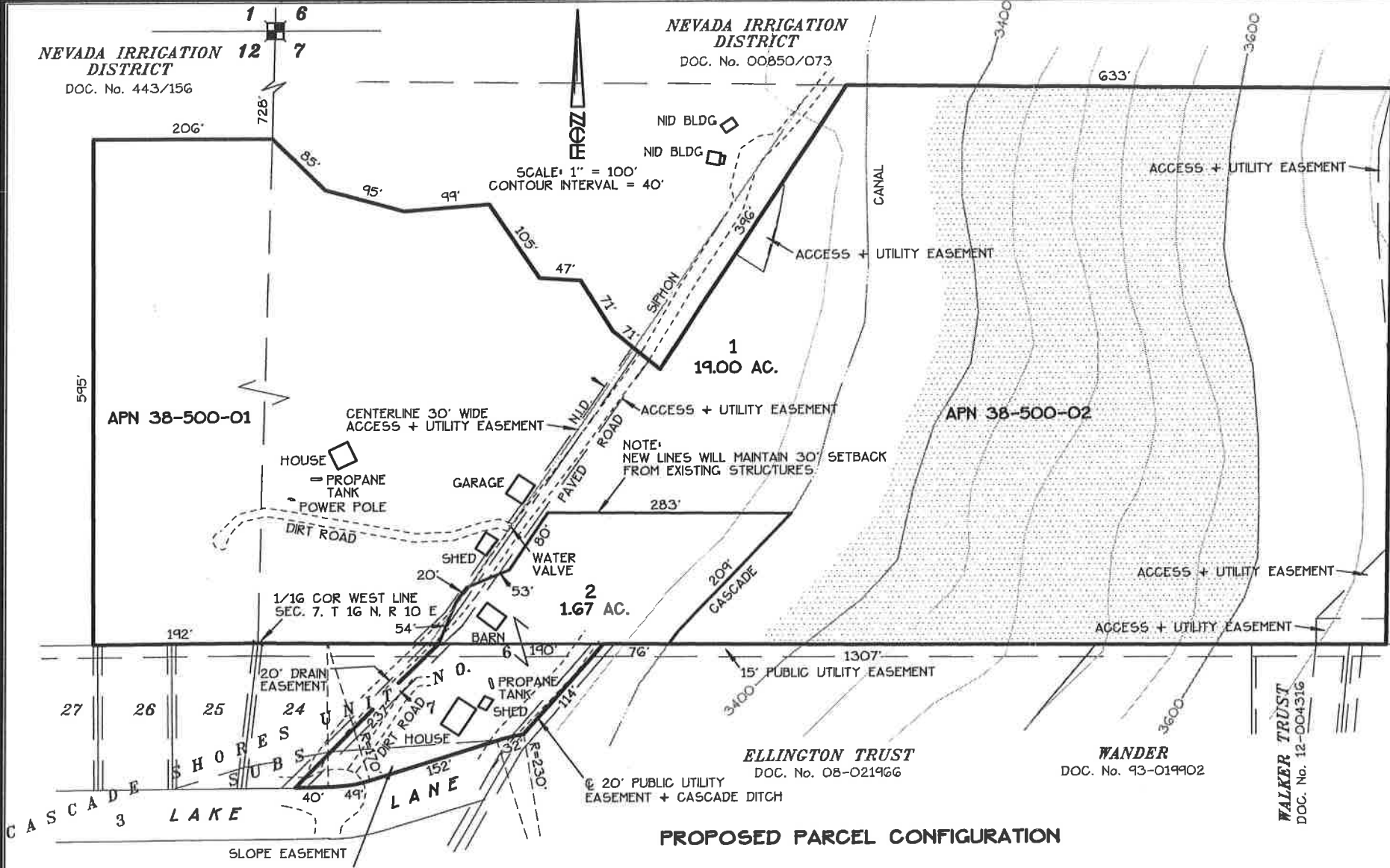
THIS IS A PLANNING DRAWING AND DOES NOT REPRESENT A FORMAL BOUNDARY OR FEATURE SURVEY

PROPOSED LOT LINE ADJUSTMENT FOR

FRAGA TRUST + CLAUDIA A. BAKER
 BEING

LOT 23 OF CASCADE SHORES UNIT NO. 6 BOOK 3 SUBDIVISIONS PAGE 7 AND PORTION OF LOT 1 SECTION 7, T. 16 N., R. 9 E., M.D.M.

WITHIN THE UNINCORPORATED TERRITORY OF
NEVADA COUNTY, CALIFORNIA
 SCALE: 1" = 100' NOVEMBER, 2017
NEVADA CITY ENGINEERING, INC.
 505 COYOTE STREET * P.O. BOX 1437 * NEVADA CITY * CALIFORNIA



NOTES:

1. PROPERTY PROFILE EXISTING

EXISTING PARCEL #	AP.N.	ZONING	EXISTING AREA	LOT POTENTIAL
1	38-500-01	AG-30		1
	38-500-02	AG-30	19.62 Ac.	
2	38-120-06	R1-X	0.67 Ac.	1
TOTALS:			20.29 Ac.	2

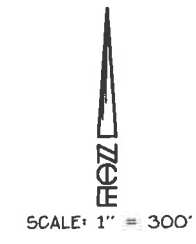
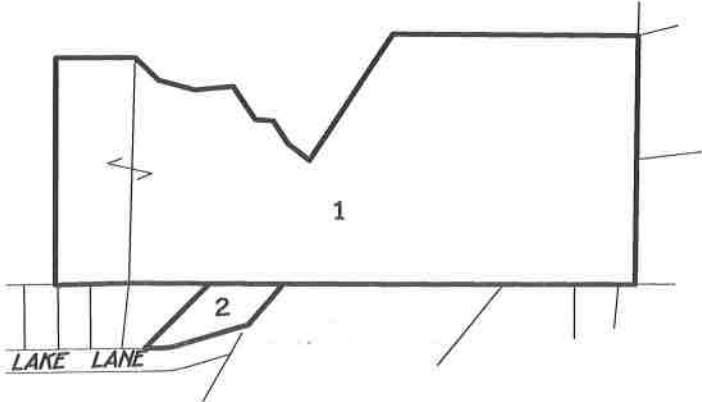
2. PROPERTY PROFILE PROPOSED

PROPOSED PARCEL #	AP.N.	PROPOSED AREA	LOT POTENTIAL
1	38-500-01 + PTN. 38-500-02	18.62 Ac.	1
2	PTN. 38-500-02 + 38-120-06	1.67 Ac.	1
TOTALS:		20.29 Ac.	2

3. PROPERTY PROFILE:
A.P.N.'S: 38-120-06, 38-500-01 + 38-500-02
AREA: 20.67 Ac.
ZONING: R1-X + AG-30
USE: EST
4. COMMUNITY SERVICE INFORMATION:
SCHOOL DISTRICTS: NEVADA JOINT UNION HIGH SCHOOL DISTRICT, NEVADA CITY ELEMENTARY SCHOOL DISTRICT
FIRE PROTECTION: NEVADA COUNTY CONSOLIDATED FIRE PROTECTION DISTRICT
TELEPHONE: AT+T
POWER: PACIFIC GAS AND ELECTRIC
SEWAGE DISPOSAL: INDIVIDUAL SEPTIC SYSTEMS
WATER: NEVADA IRRIGATION DISTRICT
5. CONTOURS SHOWN HEREON WERE EXTRAPOLATED FROM THE "NORTH BLOOMFIELD" U.S.G.S. 7.5 MINUTE QUADRANGLE. THE CONTOUR INTERVAL IS 40 FEET.

LEGEND:

APPROXIMATE SLOPES GREATER THAN 30%



OWNER/APPLICANT:

PATRICIA A. FRAGA TRUST
PO BOX 471
CLAYTON, CA 94517
(530) 265-8676

CLAUDIA ANN BAKER
14372 BURLINGTON PARKWAY
PENN VALLEY, CA 95946
(530) 478-1036

PREPARED BY:

ANDREW R. CASSANO, L.S. 4370
NEVADA CITY ENGINEERING, INC.
505 COYOTE STREET - SUITE B
NEVADA CITY, CA 95959
(530) 265-6911



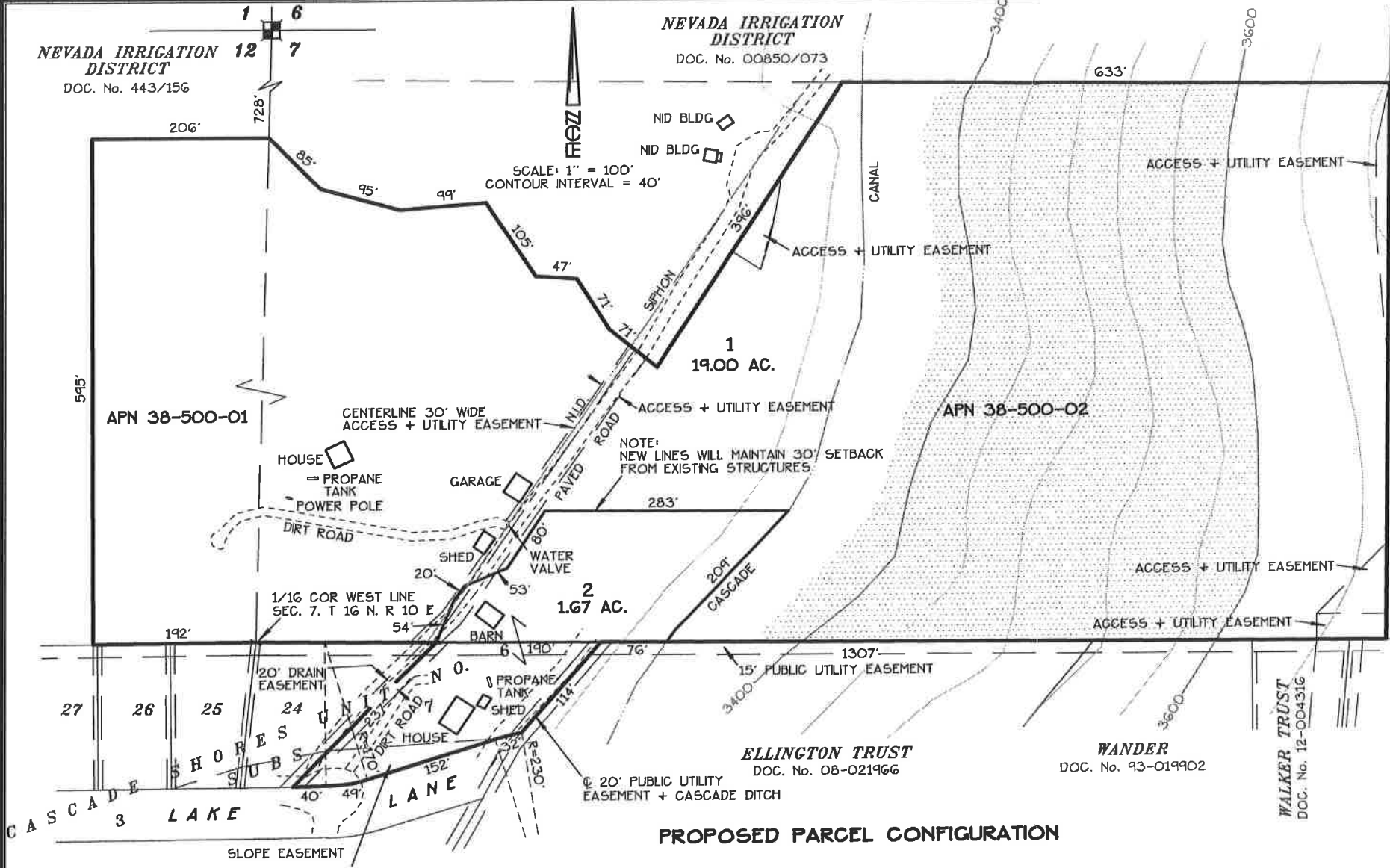
THIS IS A PLANNING DRAWING AND DOES NOT REPRESENT A FORMAL BOUNDARY OR FEATURE SURVEY

PROPOSED LOT LINE ADJUSTMENT FOR

FRAGA TRUST + CLAUDIA A. BAKER

BEING
LOT 23 OF CASCADE SHORES UNIT NO. 6 BOOK 3 SUBDIVISIONS PAGE 7 AND PORTION OF LOT 1 SECTION 7, T. 16 N., R. 9 E., M.D.M.

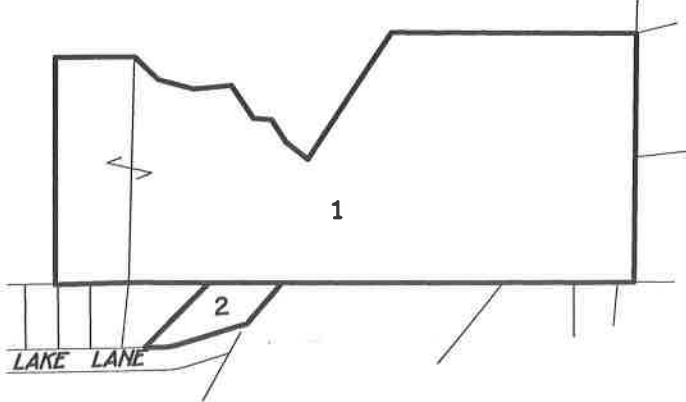
WITHIN THE UNINCORPORATED TERRITORY OF
NEVADA COUNTY, CALIFORNIA
SCALE: 1" = 100' NOVEMBER, 2017
NEVADA CITY ENGINEERING, INC.
505 COYOTE STREET * P.O. BOX 1437 * NEVADA CITY * CALIFORNIA



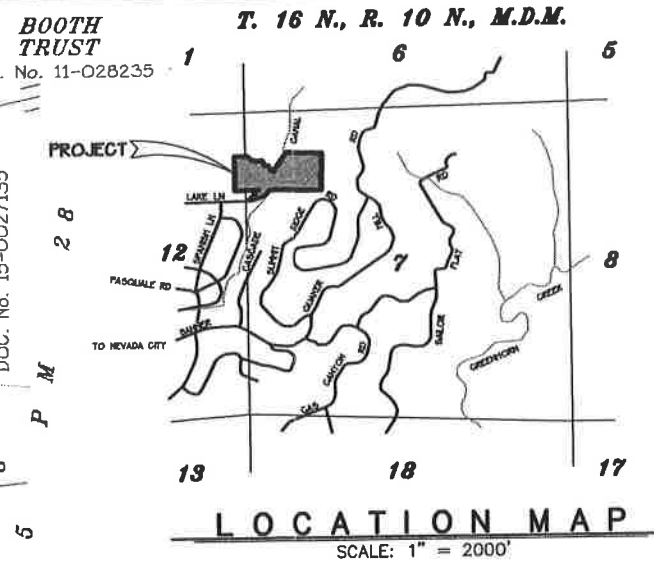
PROPOSED PARCEL CONFIGURATION

LEGEND:

APPROXIMATE SLOPES GREATER THAN 30%



EXISTING PARCEL CONFIGURATION



NOTES:

1. PROPERTY PROFILE EXISTING

EXISTING PARCEL #	A.P.N.	ZONING	EXISTING AREA	LOT POTENTIAL
1	38-500-01 38-500-02	AG-30 AG-30	19.62 Ac.	1
2	38-120-06	R1-X	0.67 Ac.	1
TOTALS:			20.29 Ac.	2

2. PROPERTY PROFILE PROPOSED

PROPOSED PARCEL #	A.P.N.	PROPOSED AREA	LOT POTENTIAL
1	38-500-01 + PTN. 38-500-02	18.62 Ac.	1
2	PTN. 38-500-02 + 38-120-06	1.67 Ac.	1
TOTALS:		20.29 Ac.	2

3. PROPERTY PROFILE:
A.P.N.'S: 38-120-06, 38-500-01 + 38-500-02
AREA: 20.67 Ac.
ZONING: R1-X + AG-30
USE: EST

4. COMMUNITY SERVICE INFORMATION:
SCHOOL DISTRICTS: NEVADA JOINT UNION HIGH SCHOOL DISTRICT
NEVADA CITY ELEMENTARY SCHOOL DISTRICT
NEVADA COUNTY CONSOLIDATED FIRE PROTECTION DISTRICT
FIRE PROTECTION: AT+T
TELEPHONE: PACIFIC GAS AND ELECTRIC
POWER: INDIVIDUAL SEPTIC SYSTEMS
SEWAGE DISPOSAL: NEVADA IRRIGATION DISTRICT
WATER:

5. CONTOURS SHOWN HEREON WERE EXTRAPOLATED FROM THE "NORTH BLOOMFIELD" U.S.G.S. 7.5 MINUTE QUADRANGLE. THE CONTOUR INTERVAL IS 40 FEET.

OWNER/APPLICANT:

PATRICIA A. FRAGA TRUST CLAUDIA ANN BAKER
PO BOX 471 14372 BURLINGTON PARKWAY
CLAYTON, CA 94517 PENN VALLEY, CA 95946
(530) 265-8676 (530) 478-1036

PREPARED BY:

ANDREW R. CASSANO, L.S. 4370
NEVADA CITY ENGINEERING, INC.
505 COYOTE STREET - SUITE B
NEVADA CITY, CA 95959
(530) 265-6911

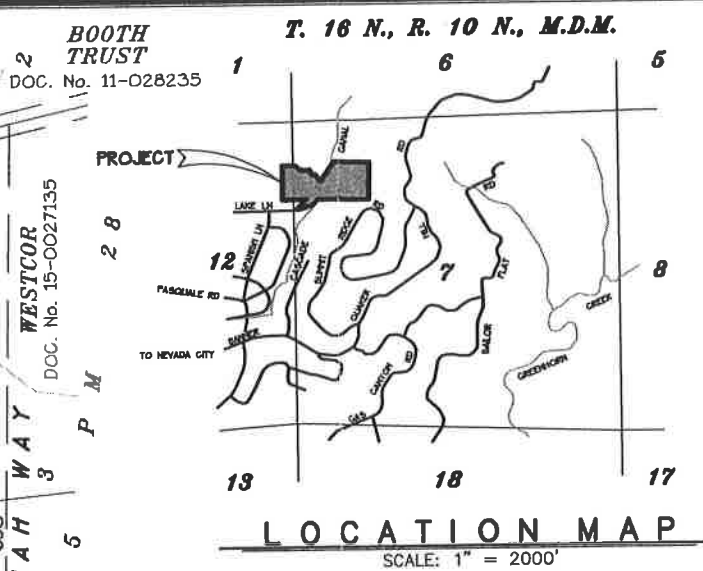
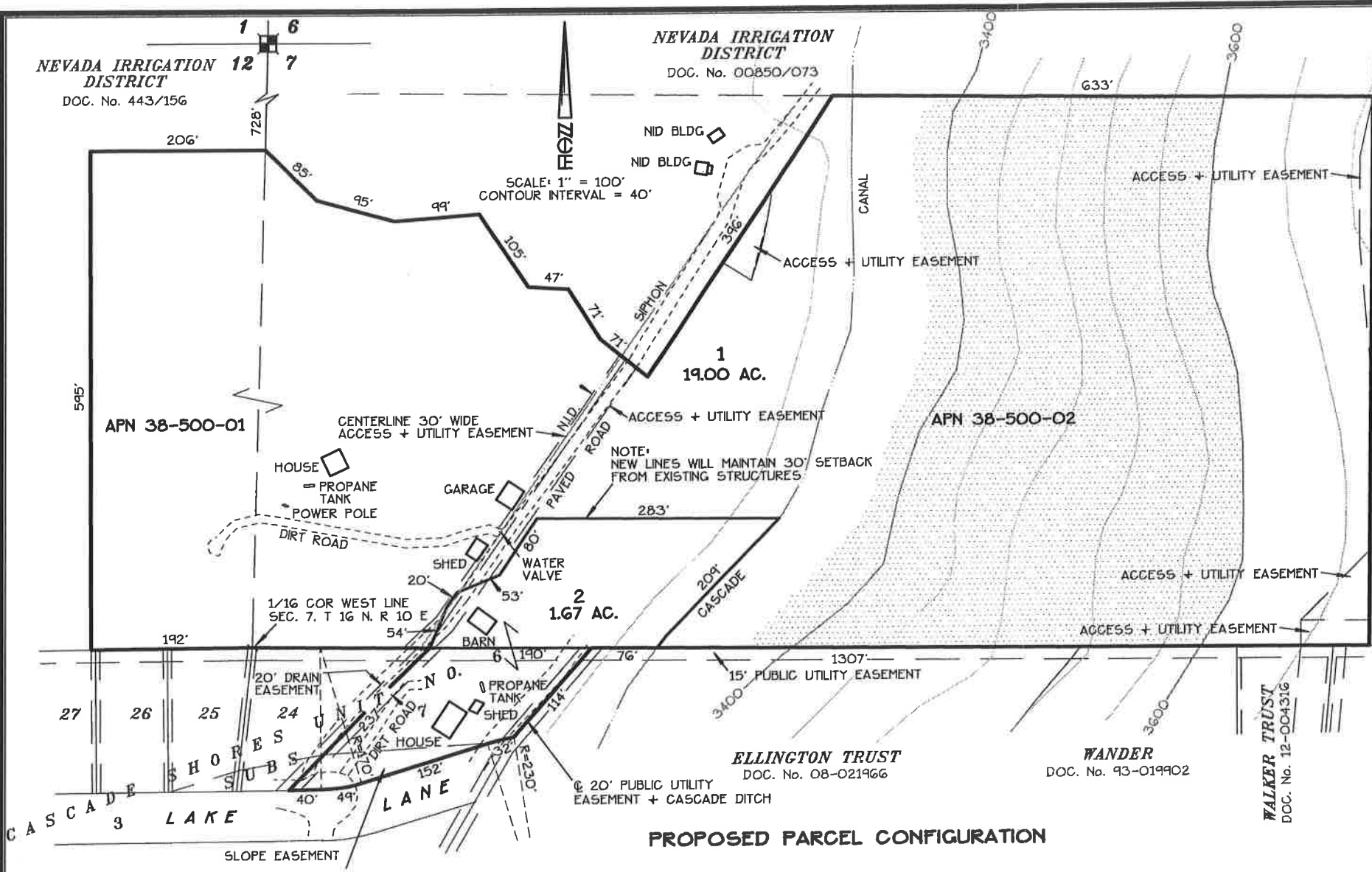


THIS IS A PLANNING DRAWING AND DOES NOT REPRESENT A FORMAL BOUNDARY OR FEATURE SURVEY

PROPOSED LOT LINE ADJUSTMENT FOR FRAGA TRUST + CLAUDIA A. BAKER BEING

LOT 23 OF CASCADE SHORES UNIT NO. 6 BOOK 3 SUBDIVISIONS PAGE 7 AND PORTION OF LOT 1 SECTION 7, T. 16 N., R. 9 E., M.D.M.

WITHIN THE UNINCORPORATED TERRITORY OF
NEVADA COUNTY, CALIFORNIA
SCALE: 1" = 100' NOVEMBER, 2017
NEVADA CITY ENGINEERING, INC.
505 COYOTE STREET * P.O. BOX 1437 * NEVADA CITY * CALIFORNIA



NOTES:

1. PROPERTY PROFILE EXISTING

EXISTING PARCEL #	APN.	ZONING	EXISTING AREA	LOT POTENTIAL
1	38-500-01 38-500-02	AG-30 AG-30	19.62 Ac.	1
2	38-120-06	R1-X	0.67 Ac.	1
TOTALS:	--	--	20.29 Ac.	2

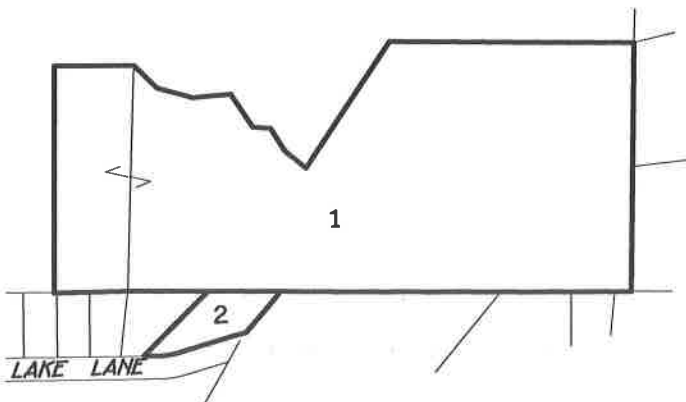
2. PROPERTY PROFILE PROPOSED

PROPOSED PARCEL #	APN.	PROPOSED AREA	LOT POTENTIAL
1	38-500-01 + PTN. 38-500-02	18.62 Ac.	1
2	PTN. 38-500-02 + 38-120-06	1.67 Ac.	1
TOTALS:	--	20.29 Ac.	2

3. PROPERTY PROFILE:
 A.P.N.'S: 38-120-06, 38-500-01 + 38-500-02
 AREA: 20.67 Ac.
 ZONING: R1-X + AG-30
 USE: EST
4. COMMUNITY SERVICE INFORMATION:
 SCHOOL DISTRICTS: NEVADA JOINT UNION HIGH SCHOOL DISTRICT
 NEVADA CITY ELEMENTARY SCHOOL DISTRICT
 NEVADA COUNTY CONSOLIDATED FIRE PROTECTION DISTRICT
 FIRE PROTECTION: AT+T
 TELEPHONE: PACIFIC GAS AND ELECTRIC
 POWER: INDIVIDUAL SEPTIC SYSTEMS
 SEWAGE DISPOSAL: NEVADA IRRIGATION DISTRICT
 WATER:
5. CONTOURS SHOWN HEREON WERE EXTRAPOLATED FROM THE "NORTH BLOOMFIELD" U.S.G.S. 7.5 MINUTE QUADRANGLE. THE CONTOUR INTERVAL IS 40 FEET.

LEGEND:

APPROXIMATE SLOPES GREATER THAN 30%



EXISTING PARCEL CONFIGURATION

PROPOSED PARCEL CONFIGURATION

OWNER/APPLICANT:

PATRICIA A. FRAGA TRUST CLAUDIA ANN BAKER
 PO BOX 471 14372 BURLINGTON PARKWAY
 CLAYTON, CA 94517 PENN VALLEY, CA 95946
 (530) 265-8676 (530) 478-1036

PREPARED BY:

ANDREW R. CASSANO, L.S. 4370
 NEVADA CITY ENGINEERING, INC.
 505 COYOTE STREET - SUITE B
 NEVADA CITY, CA 95959
 (530) 265-6911



THIS IS A PLANNING DRAWING AND DOES NOT REPRESENT A FORMAL BOUNDARY OR FEATURE SURVEY

PROPOSED LOT LINE ADJUSTMENT FOR

FRAGA TRUST + CLAUDIA A. BAKER
 BEING

LOT 23 OF CASCADE SHORES UNIT NO. 6 BOOK 3
 SUBDIVISIONS PAGE 7 AND PORTION OF LOT 1
 SECTION 7, T. 16 N., R. 9 E., M.D.M.

WITHIN THE UNINCORPORATED TERRITORY OF
NEVADA COUNTY, CALIFORNIA
 SCALE: 1" = 100' NOVEMBER, 2017
NEVADA CITY ENGINEERING, INC.
 505 COYOTE STREET * P.O. BOX 1437 * NEVADA CITY * CALIFORNIA