

Proposal

Nevada County Sheriff's Office

Public Safety P25 Radio Sites

18 June 2024

Motorola Solutions, Inc.
500 W Monroe Street, Ste 4400
Chicago, IL 60661-3781
USA

18 June 2024

Captain Bob Jakobs
Administrative Support Services
Nevada County Sheriff's Office
950 Maidu Ave.
Nevada City, Ca. 95959

Subject: Public Safety P25 Radio Sites

Dear Captain Jakobs,

Motorola Solutions, Inc. ("Motorola") is pleased to have the opportunity to provide Nevada County Sheriff's Office with quality communications equipment and services. The Motorola project team has taken great care to propose a solution that will meet your needs and provide unsurpassed value.

To best meet the functional and operational specifications of this solicitation, our solution includes a combination of hardware, software, and services. Specifically, this solution is for the Solution and provides:

- (2) VHF ASTRO 25 Trunked Repeater Sites with DC Battery Plants
- (2) 700 MHz ASTRO 25 Trunked Repeater Sites with DC Battery Plants
- (4) 700 MHz ASTRO 25 Trunked Repeater Sites without DC Battery Plants

This proposal is subject to the terms and conditions in the existing contract between The State of California and Motorola, contract number STPD-SW-1311-01 ("Contract"), together with the enclosed terms and conditions in this proposal. This proposal shall remain valid until June 28, 2024. Nevada County Sheriff's Office may accept the proposal by delivering to Motorola the CSSA signed by an appropriate Nevada County representative. Alternatively, Motorola would be pleased to address any concerns Customer may have regarding the proposal. Any questions can be directed to your Motorola Account Executive, Michael Marraccini, at 916-201-5670 or michael.marraccini@motorolasolutions.com.

We thank you for the opportunity to furnish Nevada County Sheriff's Office with "best in class" solutions and we hope to strengthen our relationship by implementing this project. Our goal is to provide you with the best products and services available in the communications industry.

Sincerely,



Michael DeBenedetti
Territory Vice President
Motorola Solutions, Inc.

Table of Contents

Section 1

System Description	1-2
1.1 Overview	1-2
1.2 Proposed System Architecture	1-3
1.2.1 Radio Frequency Site Component Descriptions	1-3
1.2.1.1 GTR 8000 Expandable Site Subsystem with Integrated DSC 8000 Site Controllers	
1.2.1.2 Dual Remote Site Link Routers	
1.2.1.3 Radio Frequency Distribution System	
1.2.1.4 MC-Edge Remote Terminal Units	
1.3 RF Sites	1-7
1.3.1 (2) 700 MHz RF Sites with DC Battery Plants.....	1-7
1.3.2 (4) 700 MHz RF Sites without DC Battery Plants.....	1-7
1.3.3 (2) VHF RF Sites with DC Battery Plants	1-8

Section 2

Statement of Work	2-9
2.1 Motorola Responsibilities	2-9
2.2 Nevada County Responsibilities	2-10
2.3 Assumptions	2-11
2.4 Change Order Process	2-12

Section 3

Service/Warranty	3-13
-------------------------------	-------------

Section 4

Equipment List	4-14
-----------------------------	-------------

Section 5

Pricing Summary	5-27
5.1 Equipment and Services – (6) 700 MHz Sites and (2) VHF Sites	5-27
5.2 Payment Terms	5-27

Section 6

Contractual Documentation	6-29
--	-------------

Section 1

System Description

1.1 Overview

After carefully reviewing Nevada County Sheriff's Office requirements for improved radio communications, Motorola has prepared this proposal for a new Public Safety P25 Radio System.

The proposed system builds upon Motorola Solutions' ASTRO® 25 architecture by combining the open standards of Project 25 (P25) with distributed architecture and IP-based addressing. The system will provide Nevada County Sheriff's Office with reliable and secure mission-critical voice communications on a future-ready platform.

Currently, Nevada County Sheriff's Office is operating on an analog conventional network. They have repeaters and receivers located on the West Side and East Side of the Sierras. The repeaters and voting receivers were constructed in a hybrid format with some being wire-lined back to the console site (via 4W RTO circuits) and others being configured as standalone repeaters. Most of the equipment are MTR2000s repeaters or receivers. The existing voting comparators, one for West and one for East, are both Motorola SpectraTac. They currently have a K2 Conventional Core with six (6) MCC7500E dispatch positions.

Nevada County Sheriff's Office plans to connect to the California Radio Interoperable System (CRIS) TDMA and FDMA Trunking System. They have identified (6) 700MHz RF sites with six (6) channels each and (2) VHF RF sites with four (4) channels each.

(2) 700 MHz sites and (2) VHF sites are proposed with DC battery plants and remaining (4) 700 MHz sites are proposed without DC battery plants.

CalOES will install the ASTRO Site Repeaters (ASR) and related equipment and will provide the network connectivity to all Nevada County RF sites, to tie into the CRIS ASTRO 25 radio network.

Connectivity of the existing Nevada County dispatch center to the CRIS Core is not part of this proposal scope.

Reprogramming of subscribers is not part of this proposal scope.

1.2 Proposed System Architecture

The proposed ASTRO 25 solution will provide an adaptable and affordable platform for mission-critical wireless communications throughout Nevada County Sheriff's Office geographic area. The proposed system consists of Radio Frequency (RF) sites referred to as the "system" throughout this proposal.

The proposed solution consists of the following sites:

- (6) 700MHz ASTRO Repeater Sites
 - (2) of these sites are proposed with DC Battery Plants
- (2) VHF ASTRO Repeater Sites with DC Battery Plants

1.2.1 Radio Frequency Site Component Descriptions

An ASTRO 25 Radio Frequency (RF) site supports a wide variety of configurations to meet critical communications requirements for present and future communication needs. Depending on the RF site configuration, each RF site has several different components. The following components are included in the RF sites provided as part of our solution for Nevada County Sheriff's Office.

1.2.1.1 GTR 8000 Expandable Site Subsystem with Integrated DSC 8000 Site Controllers

The GTR 8000 Expandable Site Subsystem (ESS) (see Figure 1-1) enclosure integrates reconfigured GTR 8000 base stations, site LAN switches, and DSC 8000 controllers, along with an optional Radio Frequency Distribution System (RFDS), depending on the needs of the proposed configuration, into a single cabinet.

The ESS provides the following important benefits:

- Integrated design provides a smaller footprint at the site.
- Front/top access design and minimized cabling reduces install and service labor.
- Increased power supply redundancy through common power bus.



Figure 1-1: GTR 8000 Expandable Site Subsystem – Integrates base radios, site controllers, reference distribution modules, and Ethernet LAN switches in a single cabinet.

Voice traffic is routed from each of the site base stations to the system for distribution to all sites associated with the call.

Motorola has proposed a 7.5 feet open rack for each ESS.

1.2.1.1.1 DSC 8000 Site Controller

The DSC 8000 Site Controller, shown in Figure 1-2, is used at an ASTRO 25 trunking site to assign voice and data channels, manage and report alarms on site resources, provide Ethernet switching capability, and provide a frequency reference to the GTR 8000 Base Radios. The DSC 8000 Site Controller platform replaces the GCP 8000 Site Controller. Trunking Repeater Sites utilize the DSC 8000 Repeater Site Controller.



Figure 1-2: DSC 8000 Site Controller

The DSC 8000 controller is a new computing platform developed by Motorola Solutions that is planned to also be used for other future products. It contains a server and embedded LAN switch providing more processing power and additional ports, eliminating the need for an external LAN switch. Redundant DSC 8000 controllers provide a redundant LAN between the controller and base radios.

1.2.1.2 Dual Remote Site Link Routers

The remote site access routers, located at the remote site, provide the IP network routing interfaces between the prime site and all of the remote sites. In the dual remote site link configuration, two remote site access routers each serve as the endpoint for one of the remote site's Wide Area Network (WAN) links. The remote site access routers support Ethernet links.

1.2.1.3 Radio Frequency Distribution System

The Radio Frequency Distribution System (RFDS) connects base radios and antennas, allowing for a completely contained and more compact installation footprint. For the transmitters, this can include isolators, combiners, TX filters, diplexers, and power monitors. For the receivers, this can include duplexers, site preselectors, and multicouplers.

The standard transmit combiners and receive multicouplers for the 700MHz ESS Base Radios are included in this proposal. Our standard 700 MHz combiner requires a Tx to Tx separation of 150 KHz.

As for the VHF ESS Base Radios, a customized RFDS is included in this proposal. This is a placeholder and a change order will be processed once frequencies are known.

VHF RFDS Design Criteria:

- Frequency Range : 150 – 160 MHz
- No direct Third Order IM hits allowed
- PIM hardened Transmit Antenna system is required
- Isolation between TX and RX Antenna > 30 dB
- Transmitter Sideband Noise Attenuation at Receive Frequencies > 60 dB

- Receive Filter Attenuation at Transmit Frequencies > 80 dB.
- Specifications are subject to change during final design and assembly.
- Motorola is not responsible for co-channel interference, local noise, or intermodulation interference at or after the installation.

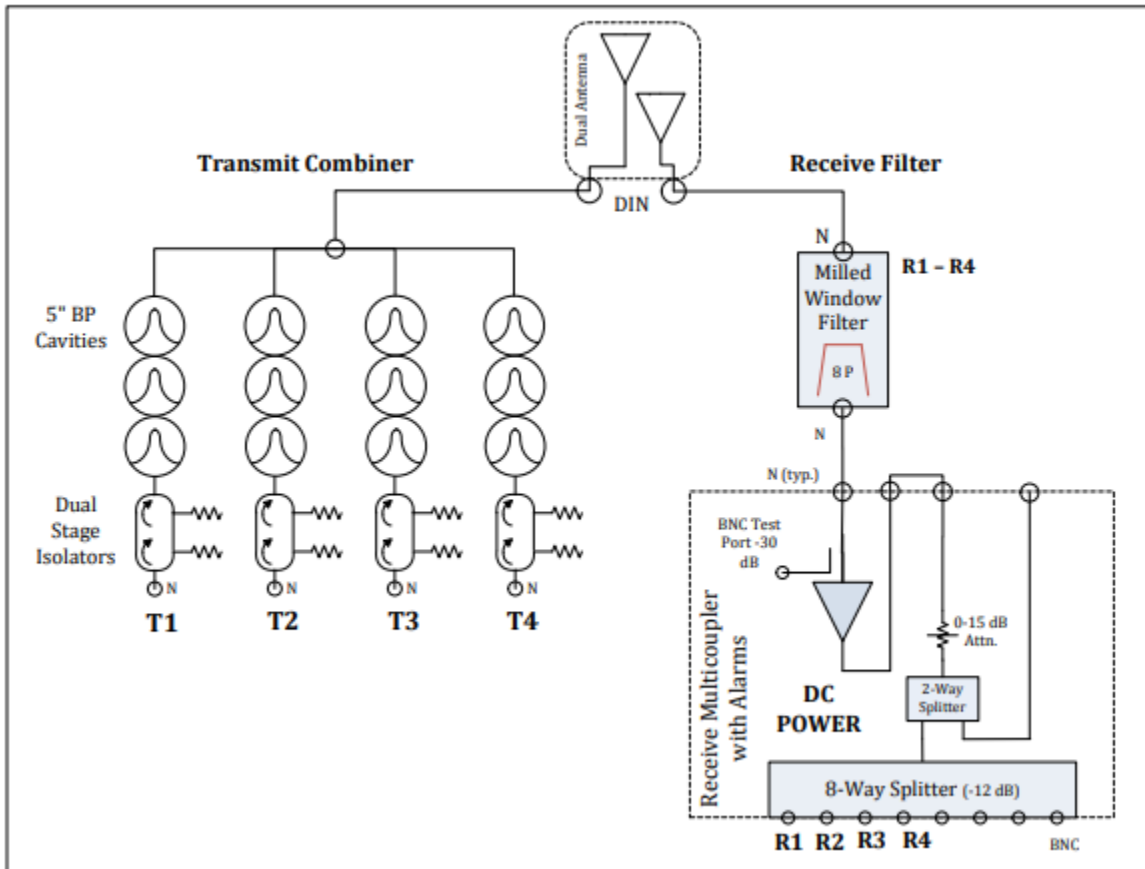


Figure 1-3: VHF RFDS Block Diagram

Typical Rack Configuration SPD2859C-1, SPD2859C-2

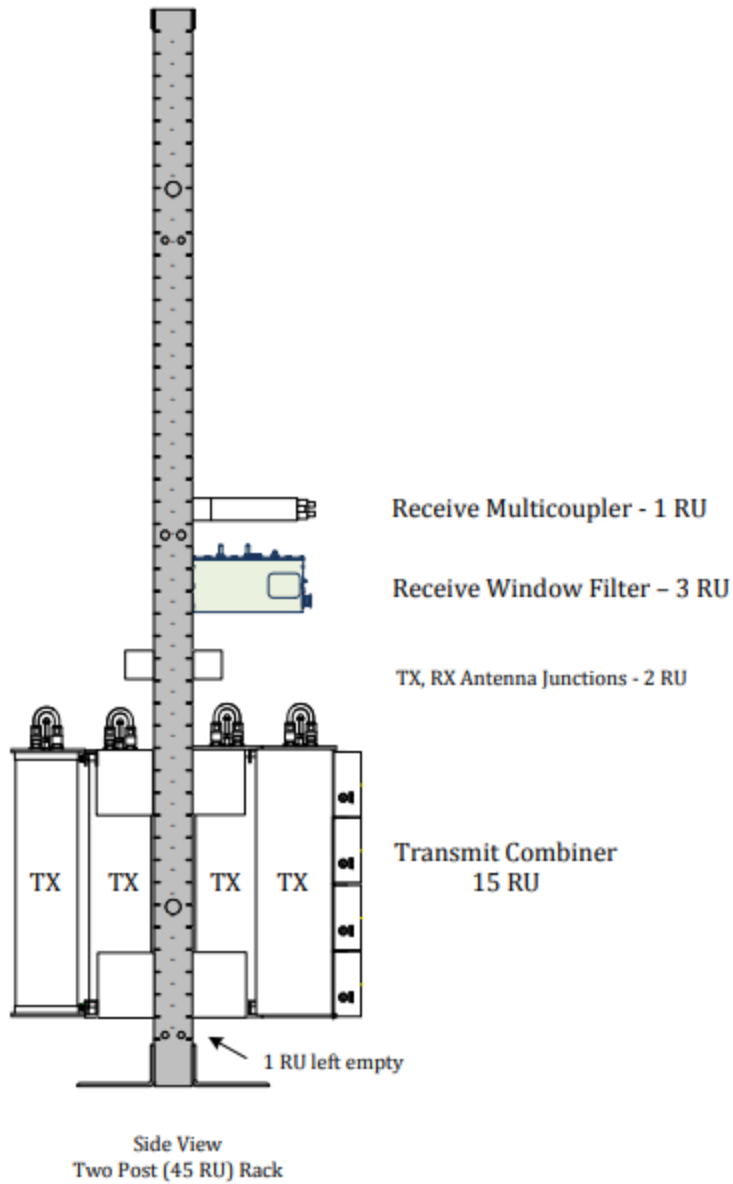


Figure 1-4: VHF RFDS Rack Diagram

1.2.1.4 MC-Edge Remote Terminal Units

The MC-Edge Remote Terminal Units (RTUs) enables the Unified Event Manager (UEM) to acquire information regarding the fault and configuration of elements/devices in sites. Each MC-Edge RTU has a web server that provides service access through a standard web browser. An RTU can retrieve the topology map of the site and alarms stored in the events buffer.

Each proposed RTU will provide 24 Digital Outputs (DO's) and 48 Digital Inputs (DI's).

MC-Edge Remote Terminal Units will be wall mounted. Installation and termination of the cables between the MC-Edge and punchblocks to the wall as well as the wiring of the Aux I/O controls such as Doors, Gates, Environmental alarm closures, etc. to the control punchblock are not included.

1.3 RF Sites

1.3.1 (2) 700 MHz RF Sites with DC Battery Plants

The following equipment is included at each RF Sub-site:

- One (1) 6-Channel GTR 8000 Expandable Site Subsystem (ESS).
- One (1) MC-Edge Remote Terminal Unit.
- Two (2) Site Routers.
- One (1) Transmit Combiner.
- One (1) Receive Multicoupler.
- One (1) Advanced Power Monitor (APM).
- One (1) DC Plant.
 - Qty 1 DSZ423BTRACK11; Battery rack 7.5 feet, 23 inches wide, 3 trays with Battery disconnect
 - Qty 8 of DSNSB170FT; Northstar 12V 170 AH battery
 - Qty 2 of DSSP4KHAM5B1A; 5A circuit breakers
 - Qty 2 of DSSP4KHAM100B1A; 100A circuit breakers

1.3.2 (4) 700 MHz RF Sites without DC Battery Plants

The following equipment is included at each RF Sub-site:

- One (1) 6-Channel GTR 8000 Expandable Site Subsystem (ESS).
 - Power Efficiency Option.
 - CEC Compliance.
- One (1) MC-Edge Remote Terminal Unit.
- Two (2) Site Routers.
- One (1) Transmit Combiner.
- One (1) Receive Multicoupler.

- One (1) Advanced Power Monitor (APM).

1.3.3 (2) VHF RF Sites with DC Battery Plants

The following equipment is included at each RF Sub-site:

- One (1) 4-Channel GTR 8000 Expandable Site Subsystem (ESS).
- One (1) MC-Edge Remote Terminal Unit.
- Two (2) Site Routers.
- One (1) Customized RFDS.
- One (1) Advanced Power Monitor (APM).
- One (1) DC Plant.
 - Qty 1 DSZ423BTRACK11; Battery rack 7.5 feet, 23 inches wide, 3 trays with Battery disconnect
 - Qty 8 of DSNSB170FT; Northstar 12V 170 AH battery
 - Qty 2 of DSSP4KHAM5B1A; 5A circuit breakers
 - Qty 2 of DSSP4KHAM100B1A; 100A circuit breakers

Section 2

Statement of Work

Motorola is proposing to Nevada County the installation and configuration of the following equipment at the specified locations.

Site Name	Major Equipment
(2) 700 MHz Sites with DC Plant	For each site: One (1) 6-Channel GTR 8000 Expandable Site Subsystem (ESS) for 700MHz Band, One (1) MC-Edge Remote Terminal Unit, Two (2) Site Routers, One (1) Transmit Combiner, One (1) Receive Multicoupler, One (1) Advanced Power Monitor (APM) and <u>One (1) DC Plant.</u>
(4) 700 MHz Sites without DC Plant	For each site: One (1) 6-Channel GTR 8000 Expandable Site Subsystem (ESS) for 700MHz Band, One (1) MC-Edge Remote Terminal Unit, Two (2) Site Routers, One (1) Transmit Combiner, One (1) Receive Multicoupler, One (1) Advanced Power Monitor (APM).
(2) VHF Sites with DC Plant	For each site: One (1) 4-Channel GTR 8000 Expandable Site Subsystem (ESS) for VHF Band, One (1) MC-Edge Remote Terminal Unit, Two (2) Site Routers, One (1) Customized RFDS, One (1) Advanced Power Monitor (APM) and <u>One (1) DC Plant.</u>

The document delineates the general responsibilities between Motorola and Nevada County as agreed to by contract.

2.1 Motorola Responsibilities

Motorola’s general responsibilities include the following:

- PM and Engineering
 - Provide a single point of contact for project activities
 - Kickoff project and review equipment list and scope of work with Nevada County (Kickoff/Design Review).
 - Execute change order, if necessary.
 - Place equipment order.
 - Co-ordinate activities with Staging facility and County.
 - Manufacture the Fixed Network Equipment (FNE) necessary for the system based on equipment order.
 - Procure non-Motorola equipment necessary for the system based on equipment order.
 - Provide specifications for backhaul connectivity.
 - Test the sites at Staging facility.

- Ship all equipment to the field.
- Review the items necessary for transitioning the project to warranty support and service.
- Provide documentation.
 - CCSi rack configurations.
 - Equipment inventory list.
- Execute final acceptance.
- Staging
 - Ship all equipment needed for staging to Motorola Solutions' Customer Center for Solutions Integration (CCSi).
 - Inventory the equipment.
 - Set up and rack the solution equipment on a site-by-site basis.
 - Cut and label the cables with to/from information to specify interconnection for field installation and future servicing needs.
 - Power up, load application parameters, program, and test all staged equipment.
 - Conduct site and system level testing, tied to the fielded CRIS ASTRO Core.
 - Configure ASTRO 25 system to support the new RF sites during CCSi staging event.
 - Pack and ship solution equipment to the identified location.

2.2 Nevada County Responsibilities

Nevada County Sheriff's Office will assume responsibility for receiving, inventory, programming, configuration and performance of all equipment and work necessary for completion of this project that is not provided by Motorola. Motorola will not be providing installation services.

General responsibilities for Nevada County Sheriff's Office include the following:

- Nevada County Sheriff's Office will provide a single point of contact to support staging implementation.
- Nevada County Sheriff's Office will provide a dedicated delivery point, such as a warehouse, for receipt, inventory and storage of equipment prior to delivery to the site(s).
- Nevada County Sheriff's Office is responsible for delivery/transport of the equipment from the dedicated delivery location to the final site for installation.
- Perform the implementation of the Motorola supplied equipment described above.
- Perform the ASTRO Core related work to tie into the proposed sites.
- Ensure communications sites meet space, grounding, power, and connectivity requirements for the installation of all equipment.
- Obtain all licensing, site access, or permitting required for project implementation.
- Obtain frequencies for project as required.
- Coordinate the activities of all Nevada County vendors or other contractors.

2.3 Assumptions

Motorola has made several assumptions in preparing this proposal, which are noted below. In order to provide a firm quote, Motorola will need to verify all assumptions or seek alternate solutions in the case of invalid assumptions.

- Conduct all project work Monday thru Friday, 8 a.m. to 5:00 local time.
- Nevada County Sheriff's Office will assume responsibility for receiving, inventory, programming, configuration and performance of all equipment of the proposed system described in the Technical Description section of this document. Motorola Solutions has not included any services or deliverables to implement the proposed system required for field system integration to the CRIS system.
- Motorola Solutions will be providing staging services for the equipment in the Motorola facility in Illinois, with a connection back to the CRIS Core.
- Nevada County Sheriff's Office's responsibilities include the following:
 - Obtain and provide zoning approvals, permits, and lease agreements for all of the proposed sites and locations as required.
 - Obtain and provide authorized frequencies.
 - Provide adequate space for the system equipment.
 - Provide site acquisition and development, electrical work, HVAC, grounding systems, provisioning of emergency power systems (e.g. backup generators), cable entry panels, wall penetrations and core drilling, and support equipment for cable runs (e.g. cable tray, ice-bridge, conduit).
 - Provide network connectivity to the CRIS system.
 - Perform structural analysis of existing tower and rooftops, as required, to confirm that the structure is capable of supporting proposed and future antenna loads.
 - Provide secure storage for the system equipment.
- All existing sites or equipment locations will have sufficient space available for the system described as required/specified by R56.
- All existing sites or equipment locations will have adequate electrical power in the proper phase, voltage and site grounding to support the requirements of the system described.
- All existing towers will have adequate space and size to support the antenna network requirements of the system described.
- Any site/location upgrades or modifications are the responsibility of the customer.
- Any tower stress analysis or tower upgrade requirements are the responsibility of the customer.
- Approved FCC licensing provided by the customer.
- Frequencies for the system shall have 150 kHz separation.
- The VHF RF Site will need a customized RFDS (transmit combiner and receive multicoupler). The exact frequencies must be provided by Nevada County Sheriff's Office or CalOES to develop a customized design of the RFDS.
- Approved local, State or Federal permits as may be required for the installation and operation of the proposed equipment are the responsibility of the customer.
- No coverage guaranteed or implied is included in this proposal.

- Spectrum Fingerprinting and Noise floor monitoring services are not included in this proposal.
- Motorola is not responsible for interference caused or received by the Motorola-provided equipment except for interference that is directly caused by the Motorola-provided transmitter(s) to the Motorola-provided receiver(s). Should the Nevada County Sheriff's Office or the CRIS system experience interference, Motorola can be contracted to investigate the source and recommend solutions to mitigate the issue.
- G-Series Base Radios are being proposed.
- There are no subscriber work (upgrades, templates, or programming) included in the scope of this proposal. All subscriber services are the responsibility of Nevada County.
- Spares are not included.
- Training is not included.
- Any third-party interfaces including logging recorder, paging, CAD, 911 and telephony (if applicable) are not included in this proposal.
- Smart Application Services are not included.
- Subscribers are not included.
- Prevailing wages are not included.
- Performance bonds are not included.
- Union labor is not included.

2.4 Change Order Process

Either Party may request changes within the general scope of this SOW. If a requested change causes an increase or decrease in the cost or time required to perform this SOW, the Parties will agree to an equitable adjustment of the Contract Price, Performance Schedule, or both, and will reflect the adjustment in a change order. Neither Party is obligated to perform requested changes unless both Parties execute a written change order.

Section 3

Service/Warranty

To correct possible defects in materials and workmanship, a standard one-year manufacturer's limited commercial warranty is included with the purchase of Motorola Solutions equipment. This warranty covers equipment supplied by Motorola Solutions, and does not cover any Nevada County-furnished equipment. Warranty services include equipment repair during normal business hours, Monday through Friday, excluding holidays observed by Motorola Solutions.

Today's IP-based, software-driven communications systems provide our customers with robust features and advanced applications, which can lead to increased productivity and operational efficiency. The integration of third party software applications and commercial off-the-shelf (COTS) equipment provide benefits and flexibility, yet they also affect how these systems are managed and sustained. Multiple technologies and vendors must now be addressed in a sustainment plan. Cybersecurity, security, and technology obsolescence strategies must be taken into account.

Motorola Solutions has invested heavily in developing the resources, tools, policies, and programs necessary to fully support and sustain these highly complex systems. Our plans have been designed to address the unique challenges involved in sustaining new IP-based, multi-vendor technologies. Motorola Solutions has a proven track record with customers in providing comprehensive and effective sustainment plans. Each service offering is managed by a Motorola Solutions Customer Service Manager (CSM), who provides an experienced interface between our customers and the organizations providing service. Motorola Solutions can provide information and pricing on additional services upon request.

Section 4

Equipment List

This section lists the equipment necessary for the proposed solution.

SUB SYS ID	BLOCK	LIM	O	QTY	NOMENCLATURE	DESCRIPTION
CORE	CORE	1	-	1	SQM01SUM0323	ASTRO MASTER SITE
CORE	CORE	1	a	1	CA03517AE	ADD: CORE EXPANSION
CORE	CORE	1	b	8	UA00153AB	ADD: P25 FDMA TRUNKING OPERATION SITE
CORE	CORE	1	c	8	UA00159AB	ADD: P25 PHASE 2 TDMA TRKNG OP SITE LIC
CORE	CORE	1	d	44	UA00161AA	ADD: P25 PHASE 2 TDMA SW BASE RADIO LIC
CORE	CORE	1	e	44	UA00162AA	ADD: PHASE 2 DYNAMIC CH BASE RADIO LIC
CORE	CORE	1	f	8	UA00160AA	ADD: PHASE 2 DYNAMIC TG ASGNMT SITE LIC
CORE	CORE	1	g	8	UA00408AA	ADD: ENHANCED DATA-P25 TRNK SITE
CORE	CORE	1	h	8	CA01316AA	ADD: UNC ADDTL DEVICE LIC (QTY 10)
ASR#001	GTR8000	2	-	1	SQM01SUM7054	GTR 8000 EXPANDABLE SITE SUBSYSTEM
ASR#001	GTR8000	2	a	1	CA03863AA	ADD: ASTRO SYSTEM RELEASE 2022.1
ASR#001	GTR8000	2	b	4	X531BG	ADD: VHF 100W LINEAR
ASR#001	GTR8000	2	c	1	X530BG	ADD: VHF (136-174 MHZ)
ASR#001	GTR8000	2	d	4	X591AE	ENH: ASTRO 25 SITE REPEATER SW
ASR#001	GTR8000	2	e	4	CA01842AA	ADD: P25 TDMA SOFTWARE
ASR#001	GTR8000	2	f	4	CA01902AA	ADD: P25 DYNAMIC CHANNEL SOFTWARE
ASR#001	GTR8000	2	g	1	CA02686AA	ADD: AC DC POWER DISTRIBUTION
ASR#001	GTR8000	2	h	1	X304AE	ADD: QTY (4) GTR 8000 BASE RADIOS
ASR#001	GTR8000	2	i	1	X699	ADD: FACTORY TEST REPORT
ASR#001	GTR8000	2	j	2	CA03736AA	ADD: DSC 8000 REPEATER SITE CONTROLLER
ASR#001	GTR8000	2	k	2	CA03745AA	ADD: DSC 8000 REPEATER SITE CONTROLLER SW
ASR#001	GTR8000	2	l	1	X882AH	ADD: 7.5 FT OPEN RACK, 48RU
ASR#001	GTR8000	3	-	1	T8343	GSERIES SOFTWARE LICENSING
ASR#001	GTR8000	3	a	4	UA00401AA	ADD: GSERIES BR-P25 TRNK ST RPTR
ASR#001	GTR8000	3	b	2	UA00759AA	ADD: DSC 8000 REPEATER SITE CONTROLLER
ASR#001	RFDS	4	-	1	DSAPM1317K248	ADVANCED POWER MONITOR, 132-174 MHZ, 36-60 V DC (INC SINGLE COUPLER)

SUB SYS ID	BLOCK	LIM	O	QTY	NOMENCLATURE	DESCRIPTION
ASR#001	RFDS	5	-	1	DQSPD2859C1	VHF 4CH COMBINING AND MULTICOUPLING SYSTEM
ASR#001	48V_POWER	6	-	2	DSSP4KHAM5B1A	5A CIRCUIT BREAKERS
ASR#001	48V_POWER	7	-	2	DSSP4KHAM100B1A	BREAKER, 100 AMP
ASR#001	48V_POWER	8	-	8	DSNSB170FT	BATTERY, 12V, 170AH HT RED NORTHSTAR
ASR#001	48V_POWER	9	-	1	DSZ423BTRACK11	NEG GROUND BATT RACK, 7.5FT, 23IN, 3 TRAYS W/BATT DISC, OPT 311 WIRING
ASR#001	NFM_RTU	10	-	1	F0016A	MC IOT MAIN MODEL
ASR#001	NFM_RTU	10	a	1	VA01370AA	ADD: MC-EDGE
ASR#001	NFM_RTU	10	b	1	VA00973AA	ADD: IOT MC-EDGE ENHANCED COMM PLUG-IN BOARD
ASR#001	NFM_RTU	10	c	1	VA01946AA	ADD: MC EDGE AS NFM SDM3000
ASR#001	NFM_RTU	10	d	3	VA00989AA	ADD: 8DO EE 16DI 5-18 V /DRY
ASR#001	NFM_RTU	10	e	1	VA00147	ADD: FRONT CABLE COVERS
ASR#001	NFM_RTU	10	f	1	VA00991AA	ADD: DC/DC - [48 >>24] PS W/O HOUSING
ASR#001	NFM_RTU	10	g	1	VA00155	ADD:DC POWER CABLE
ASR#001	NFM_RTU	10	h	1	VA00148	ADD: WALL MOUNT INSTALLATION KIT
ASR#001	NFM_RTU	11	-	1	DSIABDIN4	PANDUIT IABDIN4 4 RACK UNIT DIN RAIL FOR EIA 19" MOUNT
ASR#001	NFM_RTU	12	-	1	FHN0057	DIN RAIL STOPPER
ASR#001	NFM_RTU	13	-	3	FHN1668	TERM BLOCK & CONN WIRED M25T68
ASR#001	NFM_RTU	14	-	12	FKN0044A	MC_EDGE AUX IO MIGRATION CABLE
ASR#001	NETWORK	15	-	1	T8547	SITE ROUTER & FIREWALL- DC
ASR#001	NETWORK	15	a	1	CA03445AA	ADD: MISSION CRITICAL HARDENING
ASR#001	NETWORK	15	b	1	CA03448AA	ADD: STATEFUL FIREWALL
ASR#001	NETWORK	16	-	1	T8547	SITE ROUTER & FIREWALL- DC
ASR#001	NETWORK	16	a	1	CA03445AA	ADD: MISSION CRITICAL HARDENING
ASR#001	NETWORK	16	b	1	CA03448AA	ADD: STATEFUL FIREWALL
ASR#001	ETHNTSURGE	17	-	1	DSTSJADP	RACK MOUNT GROUND BAR, 19 IN FOR TSJ AND WPH SERIES DATA SPDS
ASR#001	ETHNTSURGE	18	-	2	DS11011001	SPD, SHIELDED RJ-45 JACK, SINGLE LINE 10/100BT PROTECTOR
ASR#002	GTR8000	19	-	1	SQM01SUM7054	GTR 8000 EXPANDABLE SITE SUBSYSTEM

SUB SYS ID	BLOCK	LIM	O	QTY	NOMENCLATURE	DESCRIPTION
ASR#002	GTR8000	19	a	1	CA03863AA	ADD: ASTRO SYSTEM RELEASE 2022.1
ASR#002	GTR8000	19	b	4	X531BG	ADD: VHF 100W LINEAR
ASR#002	GTR8000	19	c	1	X530BG	ADD: VHF (136-174 MHZ)
ASR#002	GTR8000	19	d	4	X591AE	ENH: ASTRO 25 SITE REPEATER SW
ASR#002	GTR8000	19	e	4	CA01842AA	ADD: P25 TDMA SOFTWARE
ASR#002	GTR8000	19	f	4	CA01902AA	ADD: P25 DYNAMIC CHANNEL SOFTWARE
ASR#002	GTR8000	19	g	1	CA02686AA	ADD: AC DC POWER DISTRIBUTION
ASR#002	GTR8000	19	h	1	X304AE	ADD: QTY (4) GTR 8000 BASE RADIOS
ASR#002	GTR8000	19	i	1	X699	ADD: FACTORY TEST REPORT
ASR#002	GTR8000	19	j	2	CA03736AA	ADD: DSC 8000 REPEATER SITE CONTROLLER
ASR#002	GTR8000	19	k	2	CA03745AA	ADD: DSC 8000 REPEATER SITE CONTROLLER SW
ASR#002	GTR8000	19	l	1	X882AH	ADD: 7.5 FT OPEN RACK, 48RU
ASR#002	GTR8000	20	-	1	T8343	GSERIES SOFTWARE LICENSING
ASR#002	GTR8000	20	a	4	UA00401AA	ADD: GSERIES BR-P25 TRNK ST RPTR
ASR#002	GTR8000	20	b	2	UA00759AA	ADD: DSC 8000 REPEATER SITE CONTROLLER
ASR#002	RFDS	21	-	1	DSAPM1317K248	ADVANCED POWER MONITOR, 132-174 MHZ, 36-60 V DC (INC SINGLE COUPLER)
ASR#002	RFDS	22	-	1	DQSPD2859C1	VHF 4CH COMBINING AND MULTICOUPLING SYSTEM
ASR#002	48V_POWER	23	-	2	DSSP4KHAM5B1A	5A CIRCUIT BREAKERS
ASR#002	48V_POWER	24	-	2	DSSP4KHAM100B1A	BREAKER, 100 AMP
ASR#002	48V_POWER	25	-	8	DSNSB170FT	BATTERY, 12V, 170AH HT RED NORTHSTAR
ASR#002	48V_POWER	26	-	1	DSZ423BTRACK11	NEG GROUND BATT RACK, 7.5FT, 23IN, 3 TRAYS W/BATT DISC, OPT 311 WIRING
ASR#002	NFM_RTU	27	-	1	F0016A	MC IOT MAIN MODEL
ASR#002	NFM_RTU	27	a	1	VA01370AA	ADD: MC-EDGE
ASR#002	NFM_RTU	27	b	1	VA00973AA	ADD: IOT MC-EDGE ENHANCED COMM PLUG-IN BOARD
ASR#002	NFM_RTU	27	c	1	VA01946AA	ADD: MC EDGE AS NFM SDM3000
ASR#002	NFM_RTU	27	d	3	VA00989AA	ADD: 8DO EE 16DI 5-18 V /DRY
ASR#002	NFM_RTU	27	e	1	VA00147	ADD: FRONT CABLE COVERS
ASR#002	NFM_RTU	27	f	1	VA00991AA	ADD: DC/DC - [48 >>24] PS W/O HOUSING

SUB SYS ID	BLOCK	LIM	O	QTY	NOMENCLATURE	DESCRIPTION
ASR#002	NFM_RTU	27	g	1	VA00155	ADD:DC POWER CABLE
ASR#002	NFM_RTU	27	h	1	VA00148	ADD: WALL MOUNT INSTALLATION KIT
ASR#002	NFM_RTU	28	-	1	DSIABDIN4	PANDUIT IABDIN4 4 RACK UNIT DIN RAIL FOR EIA 19" MOUNT
ASR#002	NFM_RTU	29	-	1	FHN0057	DIN RAIL STOPPER
ASR#002	NFM_RTU	30	-	3	FHN1668	TERM BLOCK & CONN WIRED M25T68
ASR#002	NFM_RTU	31	-	12	FKN0044A	MC_EDGE AUX IO MIGRATION CABLE
ASR#002	NETWORK	32	-	1	T8547	SITE ROUTER & FIREWALL- DC
ASR#002	NETWORK	32	a	1	CA03445AA	ADD: MISSION CRITICAL HARDENING
ASR#002	NETWORK	32	b	1	CA03448AA	ADD: STATEFUL FIREWALL
ASR#002	NETWORK	33	-	1	T8547	SITE ROUTER & FIREWALL- DC
ASR#002	NETWORK	33	a	1	CA03445AA	ADD: MISSION CRITICAL HARDENING
ASR#002	NETWORK	33	b	1	CA03448AA	ADD: STATEFUL FIREWALL
ASR#002	ETHNTSU RGE	34	-	1	DSTSJADP	RACK MOUNT GROUND BAR, 19 IN FOR TSJ AND WPH SERIES DATA SPDS
ASR#002	ETHNTSU RGE	35	-	2	DS11011001	SPD, SHIELDED RJ-45 JACK, SINGLE LINE 10/100BT PROTECTOR
ASR#003	GTR8000	36	-	1	SQM01SUM7054	GTR 8000 EXPANDABLE SITE SUBSYSTEM
ASR#003	GTR8000	36	a	1	CA03863AA	ADD: ASTRO SYSTEM RELEASE 2022.1
ASR#003	GTR8000	36	b	6	X591AE	ENH: ASTRO 25 SITE REPEATER SW
ASR#003	GTR8000	36	c	6	CA01842AA	ADD: P25 TDMA SOFTWARE
ASR#003	GTR8000	36	d	6	CA01902AA	ADD: P25 DYNAMIC CHANNEL SOFTWARE
ASR#003	GTR8000	36	e	1	CA02686AA	ADD: AC DC POWER DISTRIBUTION
ASR#003	GTR8000	36	f	1	CA00855AA	ADD: 700/800 MHZ
ASR#003	GTR8000	36	g	1	X306AC	ADD: QTY (6) GTR 8000 BASE RADIOS
ASR#003	GTR8000	36	h	1	CA00879AA	ADD: PRIMARY 6 PORT CAVITY COMBINER
ASR#003	GTR8000	36	i	1	CA00861AA	ADD: CABINET RMC W/ CAPABILITY OF 6 BRS
ASR#003	GTR8000	36	j	1	CA00882AA	ADD: 700 MHZ TX FILTER W/PMU
ASR#003	GTR8000	36	k	1	X699	ADD: FACTORY TEST REPORT
ASR#003	GTR8000	36	l	2	CA03736AA	ADD: DSC 8000 REPEATER SITE CONTROLLER
ASR#003	GTR8000	36	m	2	CA03745AA	ADD: DSC 8000 REPEATER SITE CONTROLLER SW
ASR#003	GTR8000	36	n	1	X882AH	ADD: 7.5 FT OPEN RACK, 48RU
ASR#003	GTR8000	37	-	1	T8343	GSERIES SOFTWARE LICENSING
ASR#003	GTR8000	37	a	6	UA00401AA	ADD: GSERIES BR-P25 TRNK ST RPTR

SUB SYS ID	BLOCK	LIM	O	QTY	NOMENCLATURE	DESCRIPTION
ASR#003	GTR8000	37	b	2	UA00759AA	ADD: DSC 8000 REPEATER SITE CONTROLLER
ASR#003	RFDS	38	-	1	DSAPM7487K248	ADVANCED POWER MONITOR, 746-870 MHZ, 36-60 VDC
ASR#003	48V_POWER	39	-	2	DSSP4KHAM5B1A	5A CIRCUIT BREAKERS
ASR#003	48V_POWER	40	-	2	DSSP4KHAM100B1A	BREAKER, 100 AMP
ASR#003	48V_POWER	41	-	8	DSNSB170FT	BATTERY, 12V, 170AH HT RED NORTHSTAR
ASR#003	48V_POWER	42	-	1	DSZ423BTRACK11	NEG GROUND BATT RACK, 7.5FT, 23IN, 3 TRAYS W/BATT DISC, OPT 311 WIRING
ASR#003	NFM_RTU	43	-	1	F0016A	MC IOT MAIN MODEL
ASR#003	NFM_RTU	43	a	1	VA01370AA	ADD: MC-EDGE
ASR#003	NFM_RTU	43	b	1	VA00973AA	ADD: IOT MC-EDGE ENHANCED COMM PLUG-IN BOARD
ASR#003	NFM_RTU	43	c	1	VA01946AA	ADD: MC EDGE AS NFM
ASR#003	NFM_RTU	43	d	3	VA00989AA	ADD: 8DO EE 16DI 5-18 V /DRY
ASR#003	NFM_RTU	43	e	1	VA00147	ADD: FRONT CABLE COVERS
ASR#003	NFM_RTU	43	f	1	VA00991AA	ADD: DC/DC - [48 >>24] PS W/O HOUSING
ASR#003	NFM_RTU	43	g	1	VA00155	ADD:DC POWER CABLE
ASR#003	NFM_RTU	43	h	1	VA00148	ADD: WALL MOUNT INSTALLATION KIT
ASR#003	NFM_RTU	44	-	1	DSIABDIN4	PANDUIT IABDIN4 4 RACK UNIT DIN RAIL FOR EIA 19" MOUNT
ASR#003	NFM_RTU	45	-	1	FHN0057	DIN RAIL STOPPER
ASR#003	NFM_RTU	46	-	3	FHN1668	TERM BLOCK & CONN WIRED M25T68
ASR#003	NFM_RTU	47	-	12	FKN0044A	MC_EDGE AUX IO MIGRATION CABLE
ASR#003	NETWORK	48	-	1	T8547	SITE ROUTER & FIREWALL- DC
ASR#003	NETWORK	48	a	1	CA03445AA	ADD: MISSION CRITICAL HARDENING
ASR#003	NETWORK	48	b	1	CA03448AA	ADD: STATEFUL FIREWALL
ASR#003	NETWORK	49	-	1	T8547	SITE ROUTER & FIREWALL- DC
ASR#003	NETWORK	49	a	1	CA03445AA	ADD: MISSION CRITICAL HARDENING
ASR#003	NETWORK	49	b	1	CA03448AA	ADD: STATEFUL FIREWALL
ASR#003	ETHNTSURGE	50	-	1	DSTSJADP	RACK MOUNT GROUND BAR, 19 IN FOR TSJ AND WPH SERIES DATA SPDS
ASR#003	ETHNTSURGE	51	-	2	DS11011001	SPD, SHIELDED RJ-45 JACK, SINGLE LINE 10/100BT PROTECTOR

SUB SYS ID	BLOCK	LIM	O	QTY	NOMENCLATURE	DESCRIPTION
ASR#004	GTR8000	52	-	1	SQM01SUM7054	GTR 8000 EXPANDABLE SITE SUBSYSTEM
ASR#004	GTR8000	52	a	1	CA03863AA	ADD: ASTRO SYSTEM RELEASE 2022.1
ASR#004	GTR8000	52	b	6	X591AE	ENH: ASTRO 25 SITE REPEATER SW
ASR#004	GTR8000	52	c	6	CA01842AA	ADD: P25 TDMA SOFTWARE
ASR#004	GTR8000	52	d	6	CA01902AA	ADD: P25 DYNAMIC CHANNEL SOFTWARE
ASR#004	GTR8000	52	e	1	CA02686AA	ADD: AC DC POWER DISTRIBUTION
ASR#004	GTR8000	52	f	1	CA00855AA	ADD: 700/800 MHZ
ASR#004	GTR8000	52	g	1	X306AC	ADD: QTY (6) GTR 8000 BASE RADIOS
ASR#004	GTR8000	52	h	1	CA00879AA	ADD: PRIMARY 6 PORT CAVITY COMBINER
ASR#004	GTR8000	52	i	1	CA00861AA	ADD: CABINET RMC W/ CAPABILITY OF 6 BRS
ASR#004	GTR8000	52	j	1	CA00882AA	ADD: 700 MHZ TX FILTER W/PMU
ASR#004	GTR8000	52	k	1	X699	ADD: FACTORY TEST REPORT
ASR#004	GTR8000	52	l	2	CA03736AA	ADD: DSC 8000 REPEATER SITE CONTROLLER
ASR#004	GTR8000	52	m	2	CA03745AA	ADD: DSC 8000 REPEATER SITE CONTROLLER SW
ASR#004	GTR8000	52	n	1	X882AH	ADD: 7.5 FT OPEN RACK, 48RU
ASR#004	GTR8000	53	-	1	T8343	GSERIES SOFTWARE LICENSING
ASR#004	GTR8000	53	a	6	UA00401AA	ADD: GSERIES BR-P25 TRNK ST RPTR
ASR#004	GTR8000	53	b	2	UA00759AA	ADD: DSC 8000 REPEATER SITE CONTROLLER
ASR#004	RFDS	54	-	1	DSAPM7487K248	ADVANCED POWER MONITOR, 746-870 MHZ, 36-60 VDC
ASR#004	48V_POWER	55	-	2	DSSP4KHAM5B1A	5A CIRCUIT BREAKERS
ASR#004	48V_POWER	56	-	2	DSSP4KHAM100B1A	BREAKER, 100 AMP
ASR#004	48V_POWER	57	-	8	DSNSB170FT	BATTERY, 12V, 170AH HT RED NORTHSTAR
ASR#004	48V_POWER	58	-	1	DSZ423BTRACK11	NEG GROUND BATT RACK, 7.5FT, 23IN, 3 TRAYS W/BATT DISC, OPT 311 WIRING
ASR#004	NFM_RTU	59	-	1	F0016A	MC IOT MAIN MODEL
ASR#004	NFM_RTU	59	a	1	VA01370AA	ADD: MC-EDGE
ASR#004	NFM_RTU	59	b	1	VA00973AA	ADD: IOT MC-EDGE ENHANCED COMM PLUG-IN BOARD
ASR#004	NFM_RTU	59	c	1	VA01946AA	ADD: MC EDGE AS NFM
ASR#004	NFM_RTU	59	d	3	VA00989AA	ADD: 8DO EE 16DI 5-18 V /DRY
ASR#004	NFM_RTU	59	e	1	VA00147	ADD: FRONT CABLE COVERS

SUB SYS ID	BLOCK	LIM	O	QTY	NOMENCLATURE	DESCRIPTION
ASR#004	NFM_RTU	59	f	1	VA00991AA	ADD: DC/DC - [48 >>24] PS W/O HOUSING
ASR#004	NFM_RTU	59	g	1	VA00155	ADD:DC POWER CABLE
ASR#004	NFM_RTU	59	h	1	VA00148	ADD: WALL MOUNT INSTALLATION KIT
ASR#004	NFM_RTU	60	-	1	DSIABDIN4	PANDUIT IABDIN4 4 RACK UNIT DIN RAIL FOR EIA 19" MOUNT
ASR#004	NFM_RTU	61	-	1	FHN0057	DIN RAIL STOPPER
ASR#004	NFM_RTU	62	-	3	FHN1668	TERM BLOCK & CONN WIRED M25T68
ASR#004	NFM_RTU	63	-	12	FKN0044A	MC_EDGE AUX IO MIGRATION CABLE
ASR#004	NETWORK	64	-	1	T8547	SITE ROUTER & FIREWALL- DC
ASR#004	NETWORK	64	a	1	CA03445AA	ADD: MISSION CRITICAL HARDENING
ASR#004	NETWORK	64	b	1	CA03448AA	ADD: STATEFUL FIREWALL
ASR#004	NETWORK	65	-	1	T8547	SITE ROUTER & FIREWALL- DC
ASR#004	NETWORK	65	a	1	CA03445AA	ADD: MISSION CRITICAL HARDENING
ASR#004	NETWORK	65	b	1	CA03448AA	ADD: STATEFUL FIREWALL
ASR#004	ETHNTSU RGE	66	-	1	DSTSJADP	RACK MOUNT GROUND BAR, 19 IN FOR TSJ AND WPH SERIES DATA SPDS
ASR#004	ETHNTSU RGE	67	-	2	DS11011001	SPD, SHIELDED RJ-45 JACK, SINGLE LINE 10/100BT PROTECTOR
ASR#005	GTR8000	68	-	1	SQM01SUM7054	GTR 8000 EXPANDABLE SITE SUBSYSTEM
ASR#005	GTR8000	68	a	1	CA03863AA	ADD: ASTRO SYSTEM RELEASE 2022.1
ASR#005	GTR8000	68	b	6	X591AE	ENH: ASTRO 25 SITE REPEATER SW
ASR#005	GTR8000	68	c	6	CA01842AA	ADD: P25 TDMA SOFTWARE
ASR#005	GTR8000	68	d	6	CA01902AA	ADD: P25 DYNAMIC CHANNEL SOFTWARE
ASR#005	GTR8000	68	e	1	CA02686AA	ADD: AC DC POWER DISTRIBUTION
ASR#005	GTR8000	68	f	1	CA00855AA	ADD: 700/800 MHZ
ASR#005	GTR8000	68	g	1	X306AC	ADD: QTY (6) GTR 8000 BASE RADIOS
ASR#005	GTR8000	68	h	1	CA00879AA	ADD: PRIMARY 6 PORT CAVITY COMBINER
ASR#005	GTR8000	68	i	1	CA00861AA	ADD: CABINET RMC W/ CAPABILITY OF 6 BRS
ASR#005	GTR8000	68	j	1	CA00882AA	ADD: 700 MHZ TX FILTER W/PMU
ASR#005	GTR8000	68	k	6	CA01953AA	ADD: POWER EFFICIENCY PACKAGE
ASR#005	GTR8000	68	l	1	CA03111AA	ADD: CEC COMPLIANCE
ASR#005	GTR8000	68	m	1	X699	ADD: FACTORY TEST REPORT
ASR#005	GTR8000	68	n	2	CA03736AA	ADD: DSC 8000 REPEATER SITE CONTROLLER
ASR#005	GTR8000	68	o	2	CA03745AA	ADD: DSC 8000 REPEATER SITE CONTROLLER SW

SUB SYS ID	BLOCK	LIM	O	QTY	NOMENCLATURE	DESCRIPTION
ASR#005	GTR8000	68	p	1	X882AH	ADD: 7.5 FT OPEN RACK, 48RU
ASR#005	GTR8000	69	-	1	T8343	GSERIES SOFTWARE LICENSING
ASR#005	GTR8000	69	a	6	UA00401AA	ADD: GSERIES BR-P25 TRNK ST RPTR
ASR#005	GTR8000	69	b	2	UA00759AA	ADD: DSC 8000 REPEATER SITE CONTROLLER
ASR#005	RFDS	70	-	1	DSAPM7487K248	ADVANCED POWER MONITOR, 746-870 MHZ, 36-60 VDC
ASR#005	NFM_RTU	71	-	1	F0016A	MC IOT MAIN MODEL
ASR#005	NFM_RTU	71	a	1	VA01370AA	ADD: MC-EDGE
ASR#005	NFM_RTU	71	b	1	VA00973AA	ADD: IOT MC-EDGE ENHANCED COMM PLUG-IN BOARD
ASR#005	NFM_RTU	71	c	1	VA01946AA	ADD: MC EDGE AS NFM
ASR#005	NFM_RTU	71	d	3	VA00989AA	ADD: 8DO EE 16DI 5-18 V /DRY
ASR#005	NFM_RTU	71	e	1	VA00147	ADD: FRONT CABLE COVERS
ASR#005	NFM_RTU	71	f	1	VA00991AA	ADD: DC/DC - [48 >>24] PS W/O HOUSING
ASR#005	NFM_RTU	71	g	1	VA00155	ADD:DC POWER CABLE
ASR#005	NFM_RTU	71	h	1	VA00148	ADD: WALL MOUNT INSTALLATION KIT
ASR#005	NFM_RTU	72	-	1	DSIABDIN4	PANDUIT IABDIN4 4 RACK UNIT DIN RAIL FOR EIA 19" MOUNT
ASR#005	NFM_RTU	73	-	1	FHN0057	DIN RAIL STOPPER
ASR#005	NFM_RTU	74	-	3	FHN1668	TERM BLOCK & CONN WIRED M25T68
ASR#005	NFM_RTU	75	-	12	FKN0044A	MC_EDGE AUX IO MIGRATION CABLE
ASR#005	NETWORK	76	-	1	T8547	SITE ROUTER & FIREWALL- DC
ASR#005	NETWORK	76	a	1	CA03445AA	ADD: MISSION CRITICAL HARDENING
ASR#005	NETWORK	76	b	1	CA03448AA	ADD: STATEFUL FIREWALL
ASR#005	NETWORK	77	-	1	T8547	SITE ROUTER & FIREWALL- DC
ASR#005	NETWORK	77	a	1	CA03445AA	ADD: MISSION CRITICAL HARDENING
ASR#005	NETWORK	77	b	1	CA03448AA	ADD: STATEFUL FIREWALL
ASR#005	ETHNTSU RGE	78	-	1	DSTSJADP	RACK MOUNT GROUND BAR, 19 IN FOR TSJ AND WPH SERIES DATA SPDS
ASR#005	ETHNTSU RGE	79	-	2	DS11011001	SPD, SHIELDED RJ-45 JACK, SINGLE LINE 10/100BT PROTECTOR
ASR#006	GTR8000	80	-	1	SQM01SUM7054	GTR 8000 EXPANDABLE SITE SUBSYSTEM
ASR#006	GTR8000	80	a	1	CA03863AA	ADD: ASTRO SYSTEM RELEASE 2022.1
ASR#006	GTR8000	80	b	6	X591AE	ENH: ASTRO 25 SITE REPEATER SW

SUB SYS ID	BLOCK	LIM	O	QTY	NOMENCLATURE	DESCRIPTION
ASR#006	GTR8000	80	c	6	CA01842AA	ADD: P25 TDMA SOFTWARE
ASR#006	GTR8000	80	d	6	CA01902AA	ADD: P25 DYNAMIC CHANNEL SOFTWARE
ASR#006	GTR8000	80	e	1	CA02686AA	ADD: AC DC POWER DISTRIBUTION
ASR#006	GTR8000	80	f	1	CA00855AA	ADD: 700/800 MHZ
ASR#006	GTR8000	80	g	1	X306AC	ADD: QTY (6) GTR 8000 BASE RADIOS
ASR#006	GTR8000	80	h	1	CA00879AA	ADD: PRIMARY 6 PORT CAVITY COMBINER
ASR#006	GTR8000	80	i	1	CA00861AA	ADD: CABINET RMC W/ CAPABILITY OF 6 BRS
ASR#006	GTR8000	80	j	1	CA00882AA	ADD: 700 MHZ TX FILTER W/PMU
ASR#006	GTR8000	80	k	6	CA01953AA	ADD: POWER EFFICIENCY PACKAGE
ASR#006	GTR8000	80	l	1	CA03111AA	ADD: CEC COMPLIANCE
ASR#006	GTR8000	80	m	1	X699	ADD: FACTORY TEST REPORT
ASR#006	GTR8000	80	n	2	CA03736AA	ADD: DSC 8000 REPEATER SITE CONTROLLER
ASR#006	GTR8000	80	o	2	CA03745AA	ADD: DSC 8000 REPEATER SITE CONTROLLER SW
ASR#006	GTR8000	80	p	1	X882AH	ADD: 7.5 FT OPEN RACK, 48RU
ASR#006	GTR8000	81	-	1	T8343	GSERIES SOFTWARE LICENSING
ASR#006	GTR8000	81	a	6	UA00401AA	ADD: GSERIES BR-P25 TRNK ST RPTR
ASR#006	GTR8000	81	b	2	UA00759AA	ADD: DSC 8000 REPEATER SITE CONTROLLER
ASR#006	RFDS	82	-	1	DSAPM7487K248	ADVANCED POWER MONITOR, 746-870 MHZ, 36-60 VDC
ASR#006	NFM_RTU	83	-	1	F0016A	MC IOT MAIN MODEL
ASR#006	NFM_RTU	83	a	1	VA01370AA	ADD: MC-EDGE
ASR#006	NFM_RTU	83	b	1	VA00973AA	ADD: IOT MC-EDGE ENHANCED COMM PLUG-IN BOARD
ASR#006	NFM_RTU	83	c	1	VA01946AA	ADD: MC EDGE AS NFM
ASR#006	NFM_RTU	83	d	3	VA00989AA	ADD: 8DO EE 16DI 5-18 V /DRY
ASR#006	NFM_RTU	83	e	1	VA00147	ADD: FRONT CABLE COVERS
ASR#006	NFM_RTU	83	f	1	VA00991AA	ADD: DC/DC - [48 >>24] PS W/O HOUSING
ASR#006	NFM_RTU	83	g	1	VA00155	ADD:DC POWER CABLE
ASR#006	NFM_RTU	83	h	1	VA00148	ADD: WALL MOUNT INSTALLATION KIT
ASR#006	NFM_RTU	84	-	1	DSIABDIN4	PANDUIT IABDIN4 4 RACK UNIT DIN RAIL FOR EIA 19" MOUNT
ASR#006	NFM_RTU	85	-	1	FHN0057	DIN RAIL STOPPER
ASR#006	NFM_RTU	86	-	3	FHN1668	TERM BLOCK & CONN WIRED M25T68
ASR#006	NFM_RTU	87	-	12	FKN0044A	MC_EDGE AUX IO MIGRATION CABLE

SUB SYS ID	BLOCK	LIM	O	QTY	NOMENCLATURE	DESCRIPTION
ASR#006	NETWORK	88	-	1	T8547	SITE ROUTER & FIREWALL- DC
ASR#006	NETWORK	88	a	1	CA03445AA	ADD: MISSION CRITICAL HARDENING
ASR#006	NETWORK	88	b	1	CA03448AA	ADD: STATEFUL FIREWALL
ASR#006	NETWORK	89	-	1	T8547	SITE ROUTER & FIREWALL- DC
ASR#006	NETWORK	89	a	1	CA03445AA	ADD: MISSION CRITICAL HARDENING
ASR#006	NETWORK	89	b	1	CA03448AA	ADD: STATEFUL FIREWALL
ASR#006	ETHNTSU RGE	90	-	1	DSTSJADP	RACK MOUNT GROUND BAR, 19 IN FOR TSJ AND WPH SERIES DATA SPDS
ASR#006	ETHNTSU RGE	91	-	2	DS11011001	SPD, SHIELDED RJ-45 JACK, SINGLE LINE 10/100BT PROTECTOR
ASR#007	GTR8000	92	-	1	SQM01SUM7054	GTR 8000 EXPANDABLE SITE SUBSYSTEM
ASR#007	GTR8000	92	a	1	CA03863AA	ADD: ASTRO SYSTEM RELEASE 2022.1
ASR#007	GTR8000	92	b	6	X591AE	ENH: ASTRO 25 SITE REPEATER SW
ASR#007	GTR8000	92	c	6	CA01842AA	ADD: P25 TDMA SOFTWARE
ASR#007	GTR8000	92	d	6	CA01902AA	ADD: P25 DYNAMIC CHANNEL SOFTWARE
ASR#007	GTR8000	92	e	1	CA02686AA	ADD: AC DC POWER DISTRIBUTION
ASR#007	GTR8000	92	f	1	CA00855AA	ADD: 700/800 MHZ
ASR#007	GTR8000	92	g	1	X306AC	ADD: QTY (6) GTR 8000 BASE RADIOS
ASR#007	GTR8000	92	h	1	CA00879AA	ADD: PRIMARY 6 PORT CAVITY COMBINER
ASR#007	GTR8000	92	i	1	CA00861AA	ADD: CABINET RMC W/ CAPABILITY OF 6 BRS
ASR#007	GTR8000	92	j	1	CA00882AA	ADD: 700 MHZ TX FILTER W/PMU
ASR#007	GTR8000	92	k	6	CA01953AA	ADD: POWER EFFICIENCY PACKAGE
ASR#007	GTR8000	92	l	1	CA03111AA	ADD: CEC COMPLIANCE
ASR#007	GTR8000	92	m	1	X699	ADD: FACTORY TEST REPORT
ASR#007	GTR8000	92	n	2	CA03736AA	ADD: DSC 8000 REPEATER SITE CONTROLLER
ASR#007	GTR8000	92	o	2	CA03745AA	ADD: DSC 8000 REPEATER SITE CONTROLLER SW
ASR#007	GTR8000	92	p	1	X882AH	ADD: 7.5 FT OPEN RACK, 48RU
ASR#007	GTR8000	93	-	1	T8343	GSERIES SOFTWARE LICENSING
ASR#007	GTR8000	93	a	6	UA00401AA	ADD: GSERIES BR-P25 TRNK ST RPTR
ASR#007	GTR8000	93	b	2	UA00759AA	ADD: DSC 8000 REPEATER SITE CONTROLLER
ASR#007	RFDS	94	-	1	DSAPM7487K248	ADVANCED POWER MONITOR, 746-870 MHZ, 36-60 VDC
ASR#007	NFM_RTU	95	-	1	F0016A	MC IOT MAIN MODEL
ASR#007	NFM_RTU	95	a	1	VA01370AA	ADD: MC-EDGE

SUB SYS ID	BLOCK	LIM	O	QTY	NOMENCLATURE	DESCRIPTION
ASR#007	NFM_RTU	95	b	1	VA00973AA	ADD: IOT MC-EDGE ENHANCED COMM PLUG-IN BOARD
ASR#007	NFM_RTU	95	c	1	VA01946AA	ADD: MC EDGE AS NFM
ASR#007	NFM_RTU	95	d	3	VA00989AA	ADD: 8DO EE 16DI 5-18 V /DRY
ASR#007	NFM_RTU	95	e	1	VA00147	ADD: FRONT CABLE COVERS
ASR#007	NFM_RTU	95	f	1	VA00991AA	ADD: DC/DC - [48 >>24] PS W/O HOUSING
ASR#007	NFM_RTU	95	g	1	VA00155	ADD:DC POWER CABLE
ASR#007	NFM_RTU	95	h	1	VA00148	ADD: WALL MOUNT INSTALLATION KIT
ASR#007	NFM_RTU	96	-	1	DSIABDIN4	PANDUIT IABDIN4 4 RACK UNIT DIN RAIL FOR EIA 19" MOUNT
ASR#007	NFM_RTU	97	-	1	FHN0057	DIN RAIL STOPPER
ASR#007	NFM_RTU	98	-	3	FHN1668	TERM BLOCK & CONN WIRED M25T68
ASR#007	NFM_RTU	99	-	12	FKN0044A	MC_EDGE AUX IO MIGRATION CABLE
ASR#007	NETWORK	100	-	1	T8547	SITE ROUTER & FIREWALL- DC
ASR#007	NETWORK	100	a	1	CA03445AA	ADD: MISSION CRITICAL HARDENING
ASR#007	NETWORK	100	b	1	CA03448AA	ADD: STATEFUL FIREWALL
ASR#007	NETWORK	101	-	1	T8547	SITE ROUTER & FIREWALL- DC
ASR#007	NETWORK	101	a	1	CA03445AA	ADD: MISSION CRITICAL HARDENING
ASR#007	NETWORK	101	b	1	CA03448AA	ADD: STATEFUL FIREWALL
ASR#007	ETHNTSU RGE	102	-	1	DSTSJADP	RACK MOUNT GROUND BAR, 19 IN FOR TSJ AND WPH SERIES DATA SPDS
ASR#007	ETHNTSU RGE	103	-	2	DS11011001	SPD, SHIELDED RJ-45 JACK, SINGLE LINE 10/100BT PROTECTOR
ASR#008	GTR8000	104	-	1	SQM01SUM7054	GTR 8000 EXPANDABLE SITE SUBSYSTEM
ASR#008	GTR8000	104	a	1	CA03863AA	ADD: ASTRO SYSTEM RELEASE 2022.1
ASR#008	GTR8000	104	b	6	X591AE	ENH: ASTRO 25 SITE REPEATER SW
ASR#008	GTR8000	104	c	6	CA01842AA	ADD: P25 TDMA SOFTWARE
ASR#008	GTR8000	104	d	6	CA01902AA	ADD: P25 DYNAMIC CHANNEL SOFTWARE
ASR#008	GTR8000	104	e	1	CA02686AA	ADD: AC DC POWER DISTRIBUTION
ASR#008	GTR8000	104	f	1	CA00855AA	ADD: 700/800 MHZ
ASR#008	GTR8000	104	g	1	X306AC	ADD: QTY (6) GTR 8000 BASE RADIOS
ASR#008	GTR8000	104	h	1	CA00879AA	ADD: PRIMARY 6 PORT CAVITY COMBINER
ASR#008	GTR8000	104	i	1	CA00861AA	ADD: CABINET RMC W/ CAPABILITY OF 6 BRS
ASR#008	GTR8000	104	j	1	CA00882AA	ADD: 700 MHZ TX FILTER W/PMU

SUB SYS ID	BLOCK	LIM	O	QTY	NOMENCLATURE	DESCRIPTION
ASR#008	GTR8000	104	k	6	CA01953AA	ADD: POWER EFFICIENCY PACKAGE
ASR#008	GTR8000	104	l	1	CA03111AA	ADD: CEC COMPLIANCE
ASR#008	GTR8000	104	m	1	X699	ADD: FACTORY TEST REPORT
ASR#008	GTR8000	104	n	2	CA03736AA	ADD: DSC 8000 REPEATER SITE CONTROLLER
ASR#008	GTR8000	104	o	2	CA03745AA	ADD: DSC 8000 REPEATER SITE CONTROLLER SW
ASR#008	GTR8000	104	p	1	X882AH	ADD: 7.5 FT OPEN RACK, 48RU
ASR#008	GTR8000	105	-	1	T8343	GSERIES SOFTWARE LICENSING
ASR#008	GTR8000	105	a	6	UA00401AA	ADD: GSERIES BR-P25 TRNK ST RPTR
ASR#008	GTR8000	105	b	2	UA00759AA	ADD: DSC 8000 REPEATER SITE CONTROLLER
ASR#008	RFDS	106	-	1	DSAPM7487K248	ADVANCED POWER MONITOR, 746-870 MHZ, 36-60 VDC
ASR#008	NFM_RTU	107	-	1	F0016A	MC IOT MAIN MODEL
ASR#008	NFM_RTU	107	a	1	VA01370AA	ADD: MC-EDGE
ASR#008	NFM_RTU	107	b	1	VA00973AA	ADD: IOT MC-EDGE ENHANCED COMM PLUG-IN BOARD
ASR#008	NFM_RTU	107	c	1	VA01946AA	ADD: MC EDGE AS NFM
ASR#008	NFM_RTU	107	d	3	VA00989AA	ADD: 8DO EE 16DI 5-18 V /DRY
ASR#008	NFM_RTU	107	e	1	VA00147	ADD: FRONT CABLE COVERS
ASR#008	NFM_RTU	107	f	1	VA00991AA	ADD: DC/DC - [48 >>24] PS W/O HOUSING
ASR#008	NFM_RTU	107	g	1	VA00155	ADD:DC POWER CABLE
ASR#008	NFM_RTU	107	h	1	VA00148	ADD: WALL MOUNT INSTALLATION KIT
ASR#008	NFM_RTU	108	-	1	DSIABDIN4	PANDUIT IABDIN4 4 RACK UNIT DIN RAIL FOR EIA 19" MOUNT
ASR#008	NFM_RTU	109	-	1	FHN0057	DIN RAIL STOPPER
ASR#008	NFM_RTU	110	-	3	FHN1668	TERM BLOCK & CONN WIRED M25T68
ASR#008	NFM_RTU	111	-	12	FKN0044A	MC_EDGE AUX IO MIGRATION CABLE
ASR#008	NETWORK	112	-	1	T8547	SITE ROUTER & FIREWALL- DC
ASR#008	NETWORK	112	a	1	CA03445AA	ADD: MISSION CRITICAL HARDENING
ASR#008	NETWORK	112	b	1	CA03448AA	ADD: STATEFUL FIREWALL
ASR#008	NETWORK	113	-	1	T8547	SITE ROUTER & FIREWALL- DC
ASR#008	NETWORK	113	a	1	CA03445AA	ADD: MISSION CRITICAL HARDENING
ASR#008	NETWORK	113	b	1	CA03448AA	ADD: STATEFUL FIREWALL

SUB SYS ID	BLOCK	LIM	O	QTY	NOMENCLATU RE	DESCRIPTION
ASR#008	ETHNTSU RGE	114	-	1	DSTSJADP	RACK MOUNT GROUND BAR, 19 IN FOR TSJ AND WPH SERIES DATA SPDS
ASR#008	ETHNTSU RGE	115	-	2	DS11011001	SPD, SHIELDED RJ-45 JACK, SINGLE LINE 10/100BT PROTECTOR

Section 5

Pricing Summary

Motorola is pleased to provide the following equipment and services to Nevada County.

5.1 Equipment and Services – (6) 700 MHz Sites and (2) VHF Sites

Description	Price (\$)
Equipment for (2) 700 sites – with DC battery backup	\$521,320
Equipment for (4) 700 sites – without battery backup	\$1,009,012
Equipment for (2) VHF sites – with DC battery backup	\$493,900
Estimated Tax on Equipment only (8.75%)	\$177,120
Staging (\$18,000 per site)	\$144,000
PM, Engineering, System Technician and Travel	\$134,000
Total System	\$2,479,352

5.2 Payment Terms

Except for a payment that is due on the Effective Date, Customer will make payments to Motorola within forty-five (45) days after the date of each invoice. Customer will make payments when due in the form of a check, cashier's check, or wire transfer drawn on a U.S. financial institution. If Customer has purchased additional Professional or Subscription services, payment will be in accordance with the applicable addenda. Payment for the System purchase will be in accordance with the following milestones.

System Purchase (excluding Subscribers, if applicable)

100% of the Equipment Price due upon delivery of the equipment (within 45 days).

Staging/PM and Engineering

1. 50% of the Staging/PM and Engineering Price Due upon Completion of Kickoff/Design Review; and
2. 50% of the Staging/PM and Engineering Price due upon Final Acceptance.

If Subscribers are purchased, 100% of the Subscriber Contract Price will be invoiced upon shipment (as shipped).

Motorola shall make partial shipments of equipment and will request payment upon shipment of such equipment. In addition, Motorola shall invoice for installations completed on a site-by-site basis or when professional services are completed, when applicable. The value of the equipment shipped/services performed will be determined by the value shipped/services performed as a percentage of the total milestone value. Unless otherwise specified, contract discounts are based upon all items proposed and overall system package. For invoicing purposes only, discounts will be applied proportionately to the FNE and Subscriber equipment values to total contract price. Overdue invoices will bear simple interest at the maximum allowable rate by state law.

Section 6

Contractual Documentation

The proposed solution is subject to the below contractual terms:

The State of California (the "State") and Motorola Solutions, Inc. ("Motorola") have a master agreement that is relevant to this Motorola Proposal. Concerning Radio Communications Equipment, the State and Motorola have previously entered into Contract No. STPD-SW-1311-01 (the "Master Equipment Agreement").

Further, this Motorola Proposal contains various additional documents (e.g., Communications System and Services Agreement "CSSA") required for the specific scope of work of this proposed solution. Nevada County may accept this Proposal by issuing a Purchase Order that specifically refers to and incorporates by reference this Proposal by date and general description.

Communications System and Services Agreement

Motorola Solutions, Inc. ("Motorola") and _____ ("Customer") enter into this "Agreement," pursuant to which Customer will purchase and Motorola will sell the System and Services, as described below. Motorola and Customer may be referred to individually as a "Party" and collectively as the "Parties." For good and valuable consideration, the Parties agree as follows:

Section 1 ATTACHMENTS

1.1. EXHIBITS. The Exhibits listed below are exhibits related to the System sale and implementation. These Exhibits are incorporated into and made a part of this Agreement.

Exhibit A "Motorola Software License Agreement"

Exhibit B "Payment"

Exhibit C Technical and Implementation Documents

C-1 "System Description" dated _____

C-2 "Pricing Summary & Equipment List" dated _____

C-3 "Implementation Statement of Work" dated _____

C-4 "Acceptance Test Plan" or "ATP" dated _____

C-5 "Performance Schedule" dated _____

Exhibit D "System Acceptance Certificate"

1.2. ADDENDUM (ADDENDA). Customer may elect to purchase professional or subscription services in addition to the System and related services. Any such services will be governed by the terms in the main body of the Agreement and an applicable Addendum containing terms specific to such service. Such Addenda will be labeled with the name of the service being purchased.

1.3 ORDER OF PRECEDENCE. In interpreting this Agreement and resolving any ambiguities: 1) the main body of this Agreement takes precedence over the exhibits (unless otherwise specified in an exhibit), and any inconsistency between Exhibits A through D will be resolved in their listed order, and 2) The applicable service Addendum will take precedence over the main body of the Agreement and the Exhibits.

Section 2 DEFINITIONS

Capitalized terms used in this Agreement have the following meanings:

"Acceptance Tests" means those tests described in the Acceptance Test Plan.

"Addendum (Addenda)" is the title of the document(s) containing a specific set of terms and conditions applicable to a particular service or other offering beyond the Communication System and System implementation services. The terms in the Addendum are applicable only to the specific service or offering described therein.

"Administrative User Credentials" means an account that has total access over the operating system, files, end user accounts and passwords at either the System level or box level. Customer's personnel with access to the Administrative User Credentials may be referred to as the Administrative User.

"Beneficial Use" means when Customer first uses the System or a Subsystem for operational purposes (excluding training or testing).

"Confidential Information" means all information consistent with the fulfillment of this Agreement that is (i) disclosed under this Agreement in oral, written, graphic, machine recognizable, and/or sample form, being clearly designated, labeled or marked as confidential or its equivalent or (ii) obtained by examination, testing or analysis of any hardware, software or any component part thereof provided by discloser to recipient. The nature and existence of this Agreement are considered Confidential Information. Confidential Information that is disclosed orally must be identified as confidential at the time of disclosure and confirmed by the discloser by submitting a written document

to the recipient within thirty (30) days after such disclosure. The written document must contain a summary of the Confidential Information disclosed with enough specificity for identification purpose and must be labeled or marked as confidential or its equivalent.

“Contract Price” means the price for the System and implementation Services, excluding applicable sales or similar taxes and freight charges. Further, unless otherwise stated in Exhibit B, “Payment” or the pricing pages of the proposal, recurring fees for maintenance, SUA, or subscription services are not included in the Contract Price.

“Deliverables” means all written information (such as reports, specifications, designs, plans, drawings, analytics, Solution Data, or other technical or business information) that Motorola prepares for Customer in the performance of the Services and is obligated to provide to Customer under this Agreement. The Deliverables, if any, are more fully described in the Statement of Work.

“Derivative Proprietary Materials” means derivatives of the Proprietary Materials that Motorola may from time to time, including during the course of providing the Services, develop and/or use and/or to which Motorola provides Customer access.

“Effective Date” means that date upon which the last Party executes this Agreement.

“Equipment” means the hardware components of the Solution that Customer purchases from Motorola under this Agreement. Equipment that is part of the System is described in the Equipment List.

“Feedback” means comments or information, in oral or written form, given to Motorola by Customer in connection with or relating to Equipment or Services, during the term of this Agreement.

“Force Majeure” means an event, circumstance, or act that is beyond a Party’s reasonable control, such as an act of God, an act of the public enemy, an act of a government entity, strikes, other labor disturbances, supplier performance, hurricanes, earthquakes, fires, floods, epidemics, embargoes, war, riots, or any other similar cause.

“Motorola Software” means software that Motorola or its affiliated companies owns.

“Non-Motorola Software” means software that a party other than Motorola or its affiliated companies owns.

“Open Source Software” (also called “freeware” or “shareware”) means software with either freely obtainable source code, license for modification, or permission for free distribution.

“Proprietary Materials” means certain software tools and/or other technical materials, including, but not limited to, data, modules, components, designs, utilities, subsets, objects, program listings, models, methodologies, programs, systems, analysis frameworks, leading practices and specifications which Motorola has developed prior to, or independently from, the provision of the Services and/or which Motorola licenses from third parties.

“Proprietary Rights” means the patents, patent applications, inventions, copyrights, trade secrets, trademarks, trade names, mask works, know-how, and other intellectual property rights in and to the Equipment and Software, including those created or produced by Motorola under this Agreement and any corrections, bug fixes, enhancements, updates or modifications to or derivative works from the Software whether made by Motorola or another party.

“Services” means system implementation, maintenance, support, subscription, or other professional services provided under this Agreement, which may be further described in the applicable Addendum and/or SOW.

“Software” (i) means proprietary software in object code format, and adaptations, translations, de-compilations, disassemblies, emulations, or derivative works of such software; (ii) means any modifications, enhancements, new versions and new releases of the software provided by Motorola; and (iii) may contain one or more items of software owned by a third party supplier. The term "Software" does not include any third party software provided under

separate license or third party software not licensable under the terms of this Agreement.

“Software License Agreement” means the Motorola Software License Agreement (Exhibit A).

“Software Support Policy” (“SwSP”) means the policy set forth at https://www.motorolasolutions.com/content/dam/msi/secure/services/software_policy.pdf describing the specific technical support that will be provided to Customers under the Warranty Period and during any paid maintenance support period for Motorola Software. This policy may be modified from time to time at Motorola's discretion.

“Solution” means the combination of the System(s) and Services provided by Motorola under this Agreement.

“Solution Data” means Customer data that is transformed, altered, processed, aggregated, correlated or operated on by Motorola, its vendors or other data sources and data that has been manipulated or retrieved using Motorola know-how to produce value-added content to data consumers, including customers or citizens which is made available to Customer with the Solution and Services.

“Specifications” means the functionality and performance requirements that are described in the Technical and Implementation Documents.

“SUA” or “SUA II” means Motorola's Software Upgrade Agreement program.

“Subsystem” means a major part of the System that performs specific functions or operations. Subsystems are described in the Technical and Implementation Documents.

“System” means the Equipment, including incidental hardware and materials, Software, and design, installation and implementation services that are combined together into an integrated system; the System(s) is (are) described in the Technical and Implementation Documents.

“System Acceptance” means the Acceptance Tests have been successfully completed.

“System Data” means data created by, in connection with or in relation to Equipment or the performance of Services under this Agreement.

“Warranty Period” for System Hardware, Software, or services related to system implementation means one (1) year from the date of System Acceptance or Beneficial Use, whichever occurs first. Unless otherwise stated in the applicable Addendum, Warranty Period for other Services means ninety (90) days from performance of the Service.

Section 3 SCOPE OF AGREEMENT AND TERM

3.1. **SCOPE OF WORK.** Motorola will provide, install and test the System(s), and perform its other contractual responsibilities to provide the Solution, all in accordance with this Agreement. Customer will perform its contractual responsibilities in accordance with this Agreement.

3.2. **CHANGE ORDERS.** Either Party may request changes within the general scope of this Agreement. If a requested change causes an increase or decrease in the cost or time required to perform this Agreement, the Parties will agree to an equitable adjustment of the Contract Price or applicable subscription fees, Performance Schedule, or both, and will reflect the adjustment in a change order or Addendum. Neither Party is obligated to perform requested changes unless both Parties execute a written change order.

3.3. **TERM.** Unless terminated in accordance with other provisions of this Agreement or extended by mutual agreement of the Parties, the term of this Agreement begins on the Effective Date and continues until the date of Final Project Acceptance or expiration of the Warranty Period, or completion of the Services, whichever occurs last. The term and the effective date of recurring Services will be set forth in the applicable Addendum.

3.4. **ADDITIONAL EQUIPMENT OR SOFTWARE.** For three (3) years after the expiration date of the Agreement, Customer may order additional Equipment or Software, if it is then available. Each purchase order must refer to this Agreement, the expiration date of the Agreement, and must specify the pricing and delivery terms. The Parties agree that, notwithstanding expiration of the Agreement, the applicable provisions of this Agreement (except for pricing, delivery, passage of title and risk of loss to Equipment, warranty commencement, and payment terms) will govern the purchase and sale of the additional Equipment or Software. Additional or contrary terms in the purchase order will be inapplicable, unless signed by both parties. Title and risk of loss to additional Equipment will pass at shipment, warranty will commence upon delivery, and payment is due within forty-five (45) days after the invoice date. Motorola will send Customer an invoice as the additional Equipment is shipped or Software is licensed. Alternatively, Customer may register with and place orders through the Motorola Solutions Customer Portal eCommerce Shop, and this Agreement will be the "Underlying Agreement" for those eCommerce transactions rather than the eCommerce Shop Terms and Conditions of Sale. eCommerce Shop registration and other information may be found at https://www.motorolasolutions.com/en_us/registration and the shop support telephone number is (800) 814-0601.

3.5. **MOTOROLA SOFTWARE.** Any Motorola Software, including subsequent releases, is licensed to Customer solely in accordance with the Software License Agreement. Customer hereby accepts and agrees to abide by all of the terms and restrictions of the Software License Agreement.

3.6. **NON-MOTOROLA SOFTWARE.** Any Non-Motorola Software is licensed to Customer in accordance with the standard license, terms, and restrictions of the copyright owner on the Effective Date unless the copyright owner has granted to Motorola the right to sublicense the Non-Motorola Software pursuant to the Software License Agreement, in which case it applies and the copyright owner will have all of Licensor's rights and protections under the Software License Agreement. Motorola makes no representations or warranties of any kind regarding Non-Motorola Software. Non-Motorola Software may include Open Source Software.

3.7. **SUBSTITUTIONS.** At no additional cost to Customer, Motorola may substitute any Equipment, Software, or services to be provided by Motorola, if the substitute meets or exceeds the Specifications and is of equivalent or better quality to the Customer. Any substitution will be reflected in a change order.

3.8. **OPTIONAL EQUIPMENT OR SOFTWARE.** This paragraph applies only if a "Priced Options" exhibit is shown in Section 1, or if the parties amend this Agreement to add a Priced Options exhibit. During the term of the option as stated in the Priced Options exhibit (or if no term is stated, then for one (1) year after the Effective Date), Customer has the right and option to purchase the equipment, software, and related services that are described in the Priced Options exhibit. Customer may exercise this option by giving written notice to Seller which must designate what equipment, software, and related services Customer is selecting (including quantities, if applicable). To the extent they apply, the terms and conditions of this Agreement will govern the transaction; however, the parties acknowledge that certain provisions must be agreed upon, and they agree to negotiate those in good faith promptly after Customer delivers the option exercise notice. Examples of provisions that may need to be negotiated are: specific lists of deliverables, statements of work, acceptance test plans, delivery and implementation schedules, payment terms, maintenance and support provisions, additions to or modifications of the Software License Agreement, hosting terms, and modifications to the acceptance and warranty provisions.

Section 4 SERVICES

4.1. If Customer desires and Motorola agrees to continue Services beyond the Term, Customer's issuance and Motorola's acceptance of a purchase order for Services will serve as an automatic extension of the Agreement for purposes of the continuing Services. Only the terms and conditions applicable to the performance of Services will apply to the extended Agreement.

4.2. During the Warranty Period, in addition to warranty services, Motorola will provide maintenance Services for the Equipment and support for the Motorola Software pursuant to the applicable maintenance and support Statements of Work. Support for the Motorola Software will be in accordance with Motorola's established Software

Support Policy. Copies of the SwSP can be found at https://www.motorolasolutions.com/content/dam/msi/secure/services/software_policy.pdf and will be sent by mail, email or fax to Customer upon written request. Maintenance Services and support during the Warranty Period are included in the Contract Price. Unless already included in the Contract Price, if Customer wishes to purchase 1) additional maintenance or software support services during the Warranty Period; or 2) continue or expand maintenance, software support, installation, and/or SUA services after the Warranty Period, Motorola will provide the description of and pricing for such services in a separate proposal document. Unless otherwise agreed by the parties in writing, the terms and conditions in this Agreement applicable to maintenance, support, installation, and/or SUA Services, will be included in the Maintenance and Support Addendum, SUA Addendum, the applicable Statements of Work, and the proposal, (if applicable). These collective terms will govern the provision of such Services.

To obtain any such additional Services, Customer will issue a purchase order referring to this Agreement and the separate proposal document. Omission of reference to this Agreement in Customer's purchase order will not affect the applicability of this Agreement. Motorola's proposal may include a cover page entitled "Service Agreement" or "Installation Agreement", as applicable, and other attachments. These cover pages and other attachments are incorporated into this Agreement by this reference

4.3. **PROFESSIONAL AND SUBSCRIPTION SERVICES.** If Customer purchases professional or subscription Services as part of the Solution, additional or different terms specific to such Service will be included in the applicable Addendum and will apply to those Services. Customer may purchase additional professional or subscription services by issuing a purchase order referencing this Agreement and Motorola's proposal for such additional services.

4.4. Any information in the form of specifications, drawings, reprints, technical information or otherwise furnished to Customer in providing Services under this Agreement or Motorola data viewed, accessed, will remain Motorola's property, will be deemed proprietary, Confidential Information. This Confidential Information will be promptly returned at Motorola's request.

4.5. **TOOLS.** All tools, equipment, dies, gauges, models, drawings or other materials paid for or furnished by Motorola for the purpose of providing Services under this Agreement will be and remain the sole property of Motorola. Customer will safeguard all such property while it is in Customer's custody or control, be liable for any loss or damage to this property, and return it to Motorola upon request. This property will be held by Customer for Motorola's use without charge and may be removed from Customer's premises by Motorola at any time without restriction. Upon termination of the contract for any reason, Customer shall return to Motorola all equipment delivered to Customer.

4.6. **COVENANT NOT TO EMPLOY.** During the term of this Agreement and continuing for a period of two (2) years thereafter, Customer will not hire, engage on contract, solicit the employment of, or recommend employment to any third party of any employee of Motorola or its subcontractors without the prior written authorization of Motorola. This provision applies only to those employees of Motorola or its subcontractors who are responsible for rendering Services under this Agreement. If this provision is found to be overly broad under applicable law, it will be modified as necessary to conform to applicable law.

4.7. **CUSTOMER OBLIGATIONS.** If the applicable Statement of Work or Addendum contains assumptions that affect the Services or Deliverables, Customer will verify that they are accurate and complete. Any information that Customer provides to Motorola concerning the Services or Deliverables will be accurate and complete in all material respects. Customer will make timely decisions and obtain any required management approvals that are reasonably necessary for Motorola to perform the Services and its other duties under this Agreement. Unless the Statement of Work states the contrary, Motorola may rely upon and is not required to evaluate, confirm, reject, modify, or provide advice concerning any assumptions and Customer-provided information, decisions and approvals described in this paragraph.

4.8. **ASSUMPTIONS.** If any assumptions or conditions contained in this Agreement, applicable Addenda or Statements of Work prove to be incorrect or if Customer's obligations are not performed, Motorola's ability to perform under this Agreement may be impacted and changes to the Contract Price, subscription fees, project schedule, Deliverables, or other changes may be necessary.

4.9. **NON-PRECLUSION.** If, as a result of the Services performed under this Agreement, Motorola recommends that Customer purchase products or other services, nothing in this Agreement precludes Motorola from participating in a future competitive bidding process or otherwise offering or selling the recommended products or other services to Customer. Customer represents that this paragraph does not violate its procurement or other laws, regulations, or policies.

4.10. **PROPRIETARY MATERIALS.** Customer acknowledges that Motorola may use and/or provide Customer with access to Proprietary Materials and Derivative Proprietary Materials. The Proprietary Materials and the Derivative Proprietary Materials are the sole and exclusive property of Motorola and Motorola retains all right, title and interest in and to the Proprietary Materials and Derivative Proprietary Materials.

4.11. **ADDITIONAL SERVICES.** Any services performed by Motorola outside the scope of this Agreement at the direction of Customer will be considered to be additional Services which are subject to additional charges. Any agreement to perform additional Services will be reflected in a written and executed change order, Addendum or amendment to this Agreement.

Section 5 PERFORMANCE SCHEDULE

The Parties will perform their respective responsibilities in accordance with the Performance Schedule. By executing this Agreement, Customer authorizes Motorola to proceed with contract performance.

Section 6 CONTRACT PRICE, PAYMENT AND INVOICING

6.1. Customer affirms that a purchase order or notice to proceed is not required for contract performance or for subsequent years of service, if any, and that sufficient funds have been appropriated in accordance with applicable law. The Customer will pay all invoices as received from Motorola and any changes in scope will be subject to the change order process as described in this Agreement. At the time of execution of this Agreement, the Customer will provide all necessary reference information to include on invoices for payment in accordance with this Agreement.

6.2. **CONTRACT PRICE.** The Contract Price in U.S. dollars is \$_____. If applicable, a pricing summary is included with the Payment schedule in Exhibit B. Motorola has priced the Services, Software, and Equipment as an integrated System. A change in Software or Equipment quantities, or Services, may affect the overall Contract Price, including discounts if applicable. Fees for professional, SUA, and/or subscription services which are not included in the Contract Price may be listed in Exhibit B, the pricing pages of the proposal, or the applicable Addendum.

6.3. **INVOICING AND PAYMENT.** Motorola will submit invoices to Customer according to the Payment schedule in Exhibit B. Invoices will be mailed or emailed to Customer pursuant to Section 6.5, Invoicing and Shipping Addresses. Except for a payment that is due on the Effective Date, Customer will make payments to Motorola within forty-five (45) days after the date of each invoice. Customer will make payments when due in the form of a wire transfer, check, or cashier's check from a U.S. financial institution. Overdue invoices will bear simple interest at the maximum allowable rate. For reference, the Federal Tax Identification Number for Motorola is 36-1115800.

6.4. **FREIGHT, TITLE, AND RISK OF LOSS.** Motorola will pre-pay and add all freight charges to the invoices. Title and risk of loss to the Equipment will pass to Customer upon shipment. Title to Software will not pass to Customer at any time. Motorola will pack and ship all Equipment in accordance with good commercial practices.

6.5. **INVOICING AND SHIPPING ADDRESSES.** Invoices will be sent to the Customer at the following address:

Name: _____
Address: _____
Phone: _____

E-INVOICE. To receive invoices via email:

Customer Account Number: _____
Customer Accounts Payable Email: _____
Customer CC(optional) Email: _____

The address which is the ultimate destination where the Equipment will be delivered to Customer is:

Name: _____
Address: _____

The Equipment will be shipped to the Customer at the following address (insert if this information is known):

Name: _____
Address: _____
Phone: _____

Customer may change this information by giving written notice to Motorola.

Section 7 SITES AND SITE CONDITIONS

7.1. **ACCESS TO SITES.** In addition to its responsibilities described elsewhere in this Agreement, Customer will provide a designated project manager; all necessary construction and building permits, zoning variances, licenses, and any other approvals that are necessary to develop or use the sites and mounting locations; and access to the worksites or vehicles identified in the Technical and Implementation Documents as reasonably requested by Motorola so that it may perform its duties in accordance with the Performance Schedule and Statement of Work. If the Statement of Work so indicates, Motorola may assist Customer in the local building permit process.

7.2. **SITE CONDITIONS.** Customer will ensure that all work sites it provides will be safe, secure, and in compliance with all applicable industry and OSHA standards. To the extent applicable and unless the Statement of Work states to the contrary, Customer will ensure that these work sites have adequate: physical space; air conditioning and other environmental conditions; adequate and appropriate electrical power outlets, distribution, equipment and connections; and adequate telephone or other communication lines (including modem access and adequate interfacing networking capabilities), all for the installation, use and maintenance of the System. Before installing the Equipment or Software at a work site, Motorola may inspect the work site and advise Customer of any apparent deficiencies or non-conformities with the requirements of this Section. This Agreement is predicated upon normal soil conditions as defined by the version of E.I.A. standard RS-222 in effect on the Effective Date.

7.3. **SITE ISSUES.** If a Party determines that the sites identified in the Technical and Implementation Documents are no longer available or desired, or if subsurface, structural, adverse environmental or latent conditions at any site differ from those indicated in the Technical and Implementation Documents, the Parties will promptly investigate the conditions and will select replacement sites or adjust the installation plans and specifications as necessary. If change in sites or adjustment to the installation plans and specifications causes a change in the cost or time to perform, the Parties will equitably amend the Contract Price, Performance Schedule, or both, by a change order.

Section 8 TRAINING

Any training to be provided by Motorola to Customer will be described in the applicable Statement of Work. Customer will notify Motorola immediately if a date change for a scheduled training program is required. If Motorola incurs additional costs because Customer reschedules a training program less than thirty (30) days before its

scheduled start date, Motorola may recover these additional costs.

Section 9 SYSTEM ACCEPTANCE

9.1. COMMENCEMENT OF ACCEPTANCE TESTING. Motorola will provide to Customer at least ten (10) days notice before the Acceptance Tests commence. System testing will occur only in accordance with the Acceptance Test Plan.

9.2. SYSTEM ACCEPTANCE. System Acceptance will occur upon successful completion of the Acceptance Tests. Upon System Acceptance, the Parties will memorialize this event by promptly executing a System Acceptance Certificate. If the Acceptance Test Plan includes separate tests for individual Subsystems or phases of the System, acceptance of the individual Subsystem or phase will occur upon the successful completion of the Acceptance Tests for the Subsystem or phase, and the Parties will promptly execute an acceptance certificate for the Subsystem or phase. If Customer believes the System has failed the completed Acceptance Tests, Customer will provide to Motorola a written notice that includes the specific details of the failure. If Customer does not provide to Motorola a failure notice within thirty (30) days after completion of the Acceptance Tests, System Acceptance will be deemed to have occurred as of the completion of the Acceptance Tests. Minor omissions or variances in the System that do not materially impair the operation of the System as a whole will not postpone System Acceptance or Subsystem acceptance, but will be corrected according to a mutually agreed schedule.

9.3. BENEFICIAL USE. Customer acknowledges that Motorola's ability to perform its implementation and testing responsibilities may be impeded if Customer begins using the System before System Acceptance. Therefore, Customer will not commence Beneficial Use before System Acceptance without Motorola's prior written authorization, which will not be unreasonably withheld. Motorola is not responsible for System performance deficiencies that occur during unauthorized Beneficial Use. Upon commencement of Beneficial Use, Customer assumes responsibility for the use and operation of the System.

9.4. FINAL PROJECT ACCEPTANCE. Final Project Acceptance will occur after System Acceptance when all deliverables and other work have been completed. When Final Project Acceptance occurs, the parties will promptly memorialize this final event by so indicating on the System Acceptance Certificate.

Section 10 REPRESENTATIONS AND WARRANTIES

10.1. SYSTEM FUNCTIONALITY. Motorola represents that the System will perform in accordance with the Specifications in all material respects. Upon System Acceptance or Beneficial Use, whichever occurs first, this System functionality representation is fulfilled. Motorola is not responsible for System performance deficiencies that are caused by ancillary equipment not furnished by Motorola which is attached to or used in connection with the System or for reasons or parties beyond Motorola's control, such as natural causes; the construction of a building that adversely affects the microwave path reliability or radio frequency (RF) coverage; the addition of frequencies at System sites that cause RF interference or intermodulation; or Customer changes to load usage or configuration outside the Specifications.

10.2. EQUIPMENT WARRANTY. During the Warranty Period, Motorola warrants that the Equipment under normal use and service will be free from material defects in materials and workmanship. If System Acceptance is delayed beyond six (6) months after shipment of the Equipment by events or causes beyond Motorola's control, this warranty expires eighteen (18) months after the shipment of the Equipment.

10.3. SOFTWARE WARRANTY. Except as described in the SwSP and unless otherwise stated in the Software License Agreement, during the Warranty Period, Motorola warrants the Software in accordance with the warranty terms set forth in the Software License Agreement and the provisions of this Section that are applicable to the Software. If System Acceptance is delayed beyond six (6) months after shipment of the Motorola Software by events or causes beyond Motorola's control, this warranty expires eighteen (18) months after the shipment of the Motorola Software. **Nothing in this Warranty provision is intended to conflict or modify the Software Support Policy. In the event of an ambiguity or conflict between the Software Warranty and Software Support Policy,**

the Software Support Policy governs.

10.4. **EXCLUSIONS TO EQUIPMENT AND SOFTWARE WARRANTIES.** These warranties do not apply to: (i) defects or damage resulting from: use of the Equipment or Software in other than its normal, customary, and authorized manner; accident, liquids, neglect, or acts of God; testing, maintenance, disassembly, repair, installation, alteration, modification, or adjustment not provided or authorized in writing by Motorola; Customer's failure to comply with all applicable industry and OSHA standards; (ii) breakage of or damage to antennas unless caused directly by defects in material or workmanship; (iii) Equipment that has had the serial number removed or made illegible; (iv) batteries (because they carry their own separate limited warranty) or consumables; (v) freight costs to ship Equipment to the repair depot; (vi) scratches or other cosmetic damage to Equipment surfaces that does not affect the operation of the Equipment; and (vii) normal or customary wear and tear.

10.5. **SERVICE WARRANTY.** During the Warranty Period, Motorola warrants that the Services will be provided in a good and workmanlike manner and will conform in all material respects to the applicable Statement of Work. Services will be free of defects in materials and workmanship for a period of ninety (90) days from the date the performance of the Services are completed. Customer acknowledges that the Deliverables may contain recommendations, suggestions or advice from Motorola to Customer (collectively, "recommendations"). Motorola makes no warranties concerning those recommendations, and Customer alone accepts responsibility for choosing whether and how to implement the recommendations and the results to be realized from implementing them.

10.6. **WARRANTY CLAIMS.** To assert a warranty claim, Customer must notify Motorola in writing of the claim before the expiration of the Warranty Period. Upon receipt of this notice, Motorola will investigate the warranty claim. If this investigation confirms a valid Equipment or Software warranty claim, Motorola will (at its option and at no additional charge to Customer) repair the defective Equipment or Motorola Software, replace it with the same or equivalent product, or refund the price of the defective Equipment or Motorola Software. These actions will be the full extent of Motorola's liability for the warranty claim. In the event of a valid Services warranty claim, Customer's sole remedy is to require Motorola to re-perform the non-conforming Service or to refund, on a pro-rata basis, the fees paid for the non-conforming Service. If this investigation indicates the warranty claim is not valid, then Motorola may invoice Customer for responding to the claim on a time and materials basis using Motorola's then current labor rates. Repaired or replaced product is warranted for the balance of the original applicable warranty period. All replaced products or parts will become the property of Motorola.

10.7. **ORIGINAL END USER IS COVERED.** These express limited warranties are extended by Motorola to the original user purchasing the System or Services for commercial, industrial, or governmental use only, and are not assignable or transferable.

10.8. **DISCLAIMER OF OTHER WARRANTIES. THESE WARRANTIES ARE THE COMPLETE WARRANTIES FOR THE EQUIPMENT AND MOTOROLA SOFTWARE PROVIDED UNDER THIS AGREEMENT AND ARE GIVEN IN LIEU OF ALL OTHER WARRANTIES. MOTOROLA DISCLAIMS ALL OTHER WARRANTIES OR CONDITIONS, EXPRESS OR IMPLIED, INCLUDING THE IMPLIED WARRANTIES OF MERCHANTABILITY, NON-INFRINGEMENT, AND FITNESS FOR A PARTICULAR PURPOSE.**

Section 11 DELAYS

11.1. **FORCE MAJEURE.** Neither Party will be liable for its non-performance or delayed performance if caused by a Force Majeure. A Party that becomes aware of a Force Majeure that will significantly delay performance will notify the other Party promptly (but in no event later than fifteen days) after it discovers the Force Majeure. If a Force Majeure occurs, the Parties will execute a change order to extend the Performance Schedule or applicable Addenda for a time period that is reasonable under the circumstances.

11.2. **PERFORMANCE SCHEDULE DELAYS CAUSED BY CUSTOMER.** If Customer (including its other contractors) delays the Performance Schedule, it will make the promised payments according to the Payment schedule as if no delay occurred; and the Parties will execute a change order to extend the Performance Schedule and, if requested, compensate Motorola for all reasonable charges incurred because of the delay. Delay charges

may include costs incurred by Motorola or its subcontractors for additional freight, warehousing and handling of Equipment; extension of the warranties; travel; suspending and re-mobilizing the work; additional engineering, project management, and standby time calculated at then current rates; and preparing and implementing an alternative implementation plan.

Section 12 DISPUTES

The Parties will use the following procedure to address any dispute arising under this Agreement (a "Dispute").

12.1. **GOVERNING LAW.** This Agreement will be governed by and construed in accordance with the laws of the State in which the System is installed.

12.2. **NEGOTIATION.** Either Party may initiate the Dispute resolution procedures by sending a notice of Dispute ("Notice of Dispute"). The Parties will attempt to resolve the Dispute promptly through good faith negotiations including 1) timely escalation of the Dispute to executives who have authority to settle the Dispute and who are at a higher level of management than the persons with direct responsibility for the matter and 2) direct communication between the executives. If the Dispute has not been resolved within ten (10) days from the Notice of Dispute, the Parties will proceed to mediation.

12.3. **MEDIATION.** The Parties will choose an independent mediator within thirty (30) days of a notice to mediate from either Party ("Notice of Mediation"). Neither Party may unreasonably withhold consent to the selection of a mediator. If the Parties are unable to agree upon a mediator, either Party may request that American Arbitration Association nominate a mediator. Each Party will bear its own costs of mediation, but the Parties will share the cost of the mediator equally. Each Party will participate in the mediation in good faith and will be represented at the mediation by a business executive with authority to settle the Dispute.

12.4. **LITIGATION, VENUE and JURISDICTION.** If a Dispute remains unresolved for sixty (60) days after receipt of the Notice of Mediation, either Party may then submit the Dispute to a court of competent jurisdiction in the state in which the System is installed. Each Party irrevocably agrees to submit to the exclusive jurisdiction of the courts in such state over any claim or matter arising under or in connection with this Agreement.

12.5. **CONFIDENTIALITY.** All communications pursuant to subsections 12.2 and 12.3 will be treated as compromise and settlement negotiations for purposes of applicable rules of evidence and any additional confidentiality protections provided by applicable law. The use of these Dispute resolution procedures will not be construed under the doctrines of laches, waiver or estoppel to affect adversely the rights of either Party.

Section 13 DEFAULT AND TERMINATION

13.1. **DEFAULT BY A PARTY.** If either Party fails to perform a material obligation under this Agreement, the other Party may consider the non-performing Party to be in default (unless a Force Majeure causes the failure) and may assert a default claim by giving the non-performing Party a written and detailed notice of default. Except for a default by Customer for failing to pay any amount when due under this Agreement which must be cured immediately, the defaulting Party will have thirty (30) days after receipt of the notice of default to either cure the default or, if the default is not curable within thirty (30) days, provide a written cure plan. The defaulting Party will begin implementing the cure plan immediately after receipt of notice by the other Party that it approves the plan. If Customer is the defaulting Party, Motorola may stop work on the project until it approves the Customer's cure plan.

13.2. **FAILURE TO CURE.** If a defaulting Party fails to cure the default as provided above in Section 13.1, unless otherwise agreed in writing, the non-defaulting Party may terminate any unfulfilled portion of this Agreement. In the event of termination for default, the defaulting Party will promptly return to the non-defaulting Party any of its Confidential Information. If Customer is the non-defaulting Party, terminates this Agreement as permitted by this Section, and completes the System through a third Party, Customer may as its exclusive remedy recover from Motorola reasonable costs incurred to complete the System to a capability not exceeding that specified in this Agreement less the unpaid portion of the Contract Price. Customer will mitigate damages and provide Motorola

with detailed invoices substantiating the charges. In the event Customer elects to terminate this Agreement for any reason other than default, Customer shall pay Motorola for the conforming Equipment and/or Software delivered and all services performed.

Section 14 INDEMNIFICATION

14.1. **GENERAL INDEMNITY BY Motorola.** Motorola will indemnify and hold Customer harmless from any and all liability, expense, judgment, suit, or cause of action arising from any third party claim or demand for personal injury, death, or direct damage to tangible property which may accrue against Customer to the extent it is caused by the negligence of Motorola, its subcontractors, or their employees or agents, while performing their duties under this Agreement, if Customer gives Motorola prompt, written notice of any third-party claim or suit. Customer will cooperate with Motorola in its defense or settlement of such claim or suit. This Section sets forth the full extent of Motorola's general indemnification of Customer from liabilities that are in any way related to Motorola's performance under this Agreement.

14.2. **GENERAL INDEMNITY BY CUSTOMER.** Customer will indemnify and hold Motorola harmless from any and all liability, expense, judgment, suit, or cause of action arising from any third party claim or demand for personal injury, death, or direct damage to tangible property which may accrue against Motorola to the extent it is caused by the negligence of Customer, its other contractors, or their employees or agents, while performing their duties under this Agreement, if Motorola gives Customer prompt, written notice of any third-party claim or suit. Motorola will cooperate with Customer in its defense or settlement of such claim or suit. This Section sets forth the full extent of Customer's general indemnification of Motorola from liabilities that are in any way related to Customer's performance under this Agreement.

14.3. PATENT AND COPYRIGHT INFRINGEMENT.

14.3.1. Motorola will defend at its expense any suit brought against Customer to the extent it is based on a third-party claim alleging that the Equipment manufactured by Motorola or the Motorola Software ("Motorola Product") directly infringes a United States patent or copyright ("Infringement Claim"). Motorola's duties to defend and indemnify are conditioned upon: Customer promptly notifying Motorola in writing of the Infringement Claim; Motorola having sole control of the defense of the suit and all negotiations for its settlement or compromise; and Customer providing to Motorola cooperation and, if requested by Motorola, reasonable assistance in the defense of the Infringement Claim. In addition to Motorola's obligation to defend, and subject to the same conditions, Motorola will pay all damages finally awarded against Customer by a court of competent jurisdiction for an Infringement Claim or agreed to, in writing, by Motorola in settlement of an Infringement Claim.

14.3.2 If an Infringement Claim occurs, or in Motorola's opinion is likely to occur, Motorola may at its option and expense: (a) procure for Customer the right to continue using the Motorola Product; (b) replace or modify the Motorola Product so that it becomes non-infringing while providing functionally equivalent performance; or (c) accept the return of the Motorola Product and grant Customer a credit for the Motorola Product, less a reasonable charge for depreciation. The depreciation amount will be calculated based upon generally accepted accounting standards.

14.3.3 Motorola will have no duty to defend or indemnify for any Infringement Claim that is based upon: (a) the combination of the Motorola Product with any software, apparatus or device not furnished by Motorola; (b) the use of ancillary equipment or software not furnished by Motorola and that is attached to or used in connection with the Motorola Product; (c) Motorola Product designed or manufactured in accordance with Customer's designs, specifications, guidelines or instructions, if the alleged infringement would not have occurred without such designs, specifications, guidelines or instructions; (d) a modification of the Motorola Product by a party other than Motorola; (e) use of the Motorola Product in a manner for which the Motorola Product was not designed or that is inconsistent with the terms of this Agreement; or (f) the failure by Customer to install an enhancement release to the Motorola Software that is intended to correct the claimed infringement. In no event will Motorola's liability resulting from its indemnity obligation to Customer extend in any way to royalties payable on a per use basis or the Customer's revenues, or any royalty basis other than a reasonable royalty based upon revenue derived by Motorola from Customer from sales or license of the infringing Motorola Product.

14.3.4. This Section 14 provides Customer's sole and exclusive remedies and Motorola's entire liability in the event of an Infringement Claim. Customer has no right to recover and Motorola has no obligation to provide any other or further remedies, whether under another provision of this Agreement or any other legal theory or principle, in connection with an Infringement Claim. In addition, the rights and remedies provided in this Section 14 are subject to and limited by the restrictions set forth in Section 15.

Section 15 LIMITATION OF LIABILITY

Except for personal injury or death, Motorola's total liability, whether for breach of contract, warranty, negligence, strict liability in tort, indemnification, or otherwise, will be limited to the direct damages recoverable under law, but not to exceed the price of the Equipment, Software, or implementation and other one-time Services with respect to which losses or damages are claimed. With respect to all subscription or other ongoing Services and unless as otherwise provided under the applicable Addenda, Motorola's total liability will be limited to the direct damages recoverable under law, but not to exceed the price of twelve (12) months of Services preceding the incident giving rise to the claim. **ALTHOUGH THE PARTIES ACKNOWLEDGE THE POSSIBILITY OF SUCH LOSSES OR DAMAGES, THEY AGREE THAT MOTOROLA WILL NOT BE LIABLE FOR ANY COMMERCIAL LOSS, INCONVENIENCE, LOSS OF USE, LOSS TIME, DATA, GOODWILL, REVENUES, PROFITS OR SAVINGS; OR OTHER SPECIAL, INCIDENTAL, INDIRECT, OR CONSEQUENTIAL DAMAGES IN ANY WAY RELATED TO OR ARISING FROM THIS AGREEMENT, THE SALE OR USE OF THE EQUIPMENT OR SOFTWARE, OR THE PERFORMANCE OF SERVICES BY MOTOROLA PURSUANT TO THIS AGREEMENT.** This limitation of liability provision survives the expiration or termination of the Agreement and applies notwithstanding any contrary provision. No action for contract breach or otherwise relating to the transactions contemplated by this Agreement may be brought more than one (1) year after the accrual of the cause of action, except for money due upon an open account.

Section 16 CONFIDENTIALITY AND PROPRIETARY RIGHTS

16.1. CONFIDENTIAL INFORMATION.

16.1.1. Each party is a disclosing party ("Discloser") and a receiving party ("Recipient") under this Agreement. All Deliverables will be deemed to be Motorola's Confidential Information. During the term of this Agreement and for a period of three (3) years from the expiration or termination of this Agreement, Recipient will (i) not disclose Confidential Information to any third party; (ii) restrict disclosure of Confidential Information to only those employees (including, but not limited to, employees of any wholly owned subsidiary, a parent company, any other wholly owned subsidiaries of the same parent company), agents or consultants who must be directly involved with the Confidential Information for the purpose and who are bound by confidentiality terms substantially similar to those in this Agreement; (iii) not copy, reproduce, reverse engineer, decompile, or disassemble any Confidential Information; (iv) use the same degree of care as for its own information of like importance, but at least use reasonable care, in safeguarding against disclosure of Confidential Information; (v) promptly notify Discloser upon discovery of any unauthorized use or disclosure of the Confidential Information and take reasonable steps to regain possession of the Confidential Information and prevent further unauthorized actions or other breach of this Agreement; and (vi) only use the Confidential Information as needed to fulfill this Agreement.

16.1.2. Recipient is not obligated to maintain as confidential, Confidential Information that Recipient can demonstrate by documentation (i) is now available or becomes available to the public without breach of this agreement; (ii) is explicitly approved for release by written authorization of Discloser; (iii) is lawfully obtained from a third party or parties without a duty of confidentiality; (iv) is known to the Recipient prior to such disclosure; or (v) is independently developed by Recipient without the use of any of Discloser's Confidential Information or any breach of this Agreement.

16.1.3. All Confidential Information remains the property of the Discloser and will not be copied or reproduced without the express written permission of the Discloser, except for copies that are absolutely necessary in order to

fulfill this Agreement. Within ten (10) days of receipt of Discloser's written request, Recipient will return all Confidential Information to Discloser along with all copies and portions thereof, or certify in writing that all such Confidential Information has been destroyed. However, Recipient may retain one (1) archival copy of the Confidential Information that it may use only in case of a dispute concerning this Agreement. No license, express or implied, in the Confidential Information is granted other than to use the Confidential Information in the manner and to the extent authorized by this Agreement. The Discloser warrants that it is authorized to disclose any Confidential Information it discloses pursuant to this Agreement.

16.2. PRESERVATION OF MOTOROLA'S PROPRIETARY RIGHTS. Motorola, the third party manufacturer of any Equipment, and the copyright owner of any Non-Motorola Software own and retain all of their respective Proprietary Rights in the Equipment and Software, and nothing in this Agreement is intended to restrict their Proprietary Rights. All intellectual property developed, originated, or prepared by Motorola in connection with providing to Customer the Equipment, Software, or related services remain vested exclusively in Motorola, and this Agreement does not grant to Customer any shared development rights of intellectual property. Except as explicitly provided in the Software License Agreement, Motorola does not grant to Customer, either directly or by implication, estoppel, or otherwise, any right, title or interest in Motorola's Proprietary Rights. Customer will not modify, disassemble, peel components, decompile, otherwise reverse engineer or attempt to reverse engineer, derive source code or create derivative works from, adapt, translate, merge with other software, reproduce, distribute, sublicense, sell or export the Software, or permit or encourage any third party to do so. The preceding sentence does not apply to Open Source Software which is governed by the standard license of the copyright owner.

16.3 VOLUNTARY DISCLOSURE. Except as required to fulfill its obligations under this Agreement, Motorola will have no obligation to provide Customer with access to its Confidential Information and/or proprietary information. Under no circumstances will Motorola be required to provide any data related to cost and pricing.

16.4 DATA AND FEEDBACK.

16.4.1 To the extent permitted by law, Customer owns all right, title and interest in System Data created solely by it or its agents (hereafter, "Customer Data"), and grants to Motorola the right to use, host, cache, store, reproduce, copy, modify, combine, analyze, create derivatives from, communicate, transmit, publish, display, and distribute such Customer Data.

16.4.2 Motorola owns all right, title and interest in data resulting from System Data that is or has been transformed, altered, processed, aggregated, correlated or operated on (hereafter, "Derivative Data").

16.4.3 Any Feedback given by Customer is and will be entirely voluntary and, even if designated as confidential, will not create any confidentiality obligation for Motorola. Motorola will be free to use, reproduce, license or otherwise distribute and exploit the Feedback without any obligation to Customer. Customer acknowledges that Motorola's receipt of the Feedback does not imply or create recognition by Motorola of either the novelty or originality of any idea. The parties further agree that all fixes, modifications and improvements made to Motorola products or services conceived of or made by Motorola that are based, either in whole or in part, on the Feedback are the exclusive property of Motorola and all right, title and interest in and to such fixes, modifications or improvements to the Motorola product or service will vest solely in Motorola.

Section 17 GENERAL

17.1. TAXES. The Contract Price does not include any excise, sales, lease, use, property, or other taxes, assessments or duties, all of which will be paid by Customer except as exempt by law. If Motorola is required to pay any of these taxes, Motorola will send an invoice to Customer and Customer will pay to Motorola the amount of the taxes (including any interest and penalties) within forty-five (45) days after the date of the invoice. Customer will be solely responsible for reporting the Equipment for personal property tax purposes, and Motorola will be solely responsible for reporting taxes on its income or net worth.

17.2. **ASSIGNABILITY AND SUBCONTRACTING.** Except as provided herein, neither Party may assign this Agreement or any of its rights or obligations hereunder without the prior written consent of the other Party, which consent will not be unreasonably withheld. Any attempted assignment, delegation, or transfer without the necessary consent will be void. Notwithstanding the foregoing, Motorola may assign this Agreement to any of its affiliates or its right to receive payment without the prior consent of Customer. In addition, in the event Motorola separates one or more of its businesses (each a "Separated Business"), whether by way of a sale, establishment of a joint venture, spin-off or otherwise (each a "Separation Event"), Motorola may, without the prior written consent of the other Party and at no additional cost to Motorola, assign this Agreement such that it will continue to benefit the Separated Business and its affiliates (and Motorola and its affiliates, to the extent applicable) following the Separation Event. Motorola may subcontract any of the work, but subcontracting will not relieve Motorola of its duties under this Agreement.

17.3. **WAIVER.** Failure or delay by either Party to exercise a right or power under this Agreement will not be a waiver of the right or power. For a waiver of a right or power to be effective, it must be in a writing signed by the waiving Party. An effective waiver of a right or power will not be construed as either a future or continuing waiver of that same right or power, or the waiver of any other right or power.

17.4. **SEVERABILITY.** If a court of competent jurisdiction renders any part of this Agreement invalid or unenforceable, that part will be severed and the remainder of this Agreement will continue in full force and effect.

17.5. **INDEPENDENT CONTRACTORS.** Each Party will perform its duties under this Agreement as an independent contractor. The Parties and their personnel will not be considered to be employees or agents of the other Party. Nothing in this Agreement will be interpreted as granting either Party the right or authority to make commitments of any kind for the other. This Agreement will not constitute, create, or be interpreted as a joint venture, partnership or formal business organization of any kind.

17.6. **HEADINGS AND SECTION REFERENCES.** The section headings in this Agreement are inserted only for convenience and are not to be construed as part of this Agreement or as a limitation of the scope of the particular section to which the heading refers. This Agreement will be fairly interpreted in accordance with its terms and conditions and not for or against either Party.

17.7. **NOTICES.** Notices required under this Agreement to be given by one Party to the other must be in writing and either personally delivered or sent to the address provided by the other Party by certified mail, return receipt requested and postage prepaid (or by a recognized courier service, such as Federal Express, UPS, or DHL), or by facsimile with correct answerback received, and will be effective upon receipt.

17.8. **COMPLIANCE WITH APPLICABLE LAWS.** Each Party will comply with all applicable federal, state, and local laws, regulations and rules concerning the performance of this Agreement or use of the System. Customer will obtain and comply with all Federal Communications Commission ("FCC") licenses and authorizations required for the installation, operation and use of the System before the scheduled installation of the Equipment. Although Motorola might assist Customer in the preparation of its FCC license applications, neither Motorola nor any of its employees is an agent or representative of Customer in FCC or other matters.

17.9 **FUTURE REGULATORY REQUIREMENTS.** The Parties acknowledge and agree that this is an evolving technological area and therefore, laws and regulations regarding Services and use of Solution may change. Changes to existing Services or the Solution required to achieve regulatory compliance may be available for an additional fee. Any required changes may also impact the price for Services.

17.10. **AUTHORITY TO EXECUTE AGREEMENT.** Each Party represents that it has obtained all necessary approvals, consents and authorizations to enter into this Agreement and to perform its duties under this Agreement; the person executing this Agreement on its behalf has the authority to do so; upon execution and delivery of this Agreement by the Parties, it is a valid and binding contract, enforceable in accordance with its terms; and the execution, delivery, and performance of this Agreement does not violate any bylaw, charter, regulation, law or any other governing authority of the Party.

17.11. **ADMINISTRATOR LEVEL ACCOUNT ACCESS.** If applicable to the type of System purchased by Customer, Motorola will provide Customer with Administrative User Credentials. Customer agrees to only grant access to the Administrative User Credentials to those personnel with the training and experience to correctly use them. Customer is responsible for protecting Administrative User Credentials from disclosure and maintaining Credential validity by, among other things, updating passwords when required. Customer may be asked to provide valid Administrative User Credentials when in contact with Motorola System support personnel. Customer understands that changes made as the Administrative User can significantly impact the performance of the System. Customer agrees that it will be solely responsible for any negative impact on the System or its users by any such changes. System issues occurring as a result of changes made using the Administrative User Credentials may impact Motorola's ability to perform Services or other obligations under the Agreement. In such cases, a revision to the appropriate provisions of the Agreement, including the Statement of Work, may be necessary. To the extent Motorola provides assistance to correct any issues caused by or arising out of the use of or failure to maintain Administrative User Credentials, Motorola will be entitled to bill Customer and Customer will pay Motorola on a time and materials basis for resolving the issue.

17.12. **SURVIVAL OF TERMS.** The following provisions will survive the expiration or termination of this Agreement for any reason: Section 3.5 (Motorola Software); Section 3.6 (Non-Motorola Software); if any payment obligations exist, Sections 6.2 and 6.3 (Contract Price and Invoicing and Payment); Subsection 10.8 (Disclaimer of Implied Warranties); Section 12 (Disputes); Section 15 (Limitation of Liability); and Section 16 (Confidentiality and Proprietary Rights); and all of the General provisions in Section 17.

17.13. **ENTIRE AGREEMENT.** This Agreement, including all Exhibits, constitutes the entire agreement of the Parties regarding the subject matter of the Agreement and supersedes all previous agreements, proposals, and understandings, whether written or oral, relating to this subject matter. This Agreement may be executed in multiple counterparts, and shall have the same legal force and effect as if the Parties had executed it as a single document. The Parties may sign in writing, or by electronic signature, including by email. An electronic signature, or a facsimile copy or computer image, such as a PDF or tiff image, of a signature, shall be treated as and shall have the same effect as an original signature. In addition, an electronic signature, a true and correct facsimile copy or computer image of this Agreement shall be treated as and shall have the same effect as an original signed copy of this document. This Agreement may be amended or modified only by a written instrument signed by authorized representatives of both Parties. The preprinted terms and conditions found on any Customer purchase or purchase order, acknowledgment or other form will not be considered an amendment or modification of this Agreement, even if a representative of each Party signs that document.

The Parties hereby enter into this Agreement as of the Effective Date.

Motorola Solutions, Inc.

Customer

By: _____

By: _____

Name: _____

Name: _____

Title: _____

Title: _____

Date: _____

Date: _____

Exhibit A

MOTOROLA SOFTWARE LICENSE AGREEMENT

This Exhibit A Motorola Software License Agreement ("Agreement") is between Motorola Solutions, Inc., ("Motorola"), and _____ ("Licensee").

For good and valuable consideration, the parties agree as follows:

Section 1 DEFINITIONS

1.1 "Designated Products" means products provided by Motorola to Licensee with which or for which the Software and Documentation is licensed for use.

1.2 "Documentation" means product and software documentation that specifies technical and performance features and capabilities, and the user, operation and training manuals for the Software (including all physical or electronic media upon which such information is provided).

1.3 "Open Source Software" means software with either freely obtainable source code, license for modification, or permission for free distribution.

1.4 "Open Source Software License" means the terms or conditions under which the Open Source Software is licensed.

1.5 "Primary Agreement" means the agreement to which this exhibit is attached.

1.6 "Security Vulnerability" means a flaw or weakness in system security procedures, design, implementation, or internal controls that could be exercised (accidentally triggered or intentionally exploited) and result in a security breach such that data is compromised, manipulated or stolen or the system damaged.

1.7 "Software" (i) means proprietary software in object code format, and adaptations, translations, de-compilations, disassemblies, emulations, or derivative works of such software; (ii) means any modifications, enhancements, new versions and new releases of the software provided by Motorola; and (iii) may contain one or more items of software owned by a third party supplier. The term "Software" does not include any third party software provided under separate license or third party software not licensable under the terms of this Agreement.

Section 2 SCOPE

Motorola and Licensee enter into this Agreement in connection with Motorola's delivery of certain proprietary software or products containing embedded or pre-loaded proprietary software, or both. This Agreement contains the terms and conditions of the license Motorola is providing to Licensee, and Licensee's use of the proprietary software and affiliated documentation.

Section 3 GRANT OF LICENSE

3.1. Subject to the provisions of this Agreement and the payment of applicable license fees, Motorola grants to Licensee a personal, limited, non-transferable (except as permitted in Section 7) and non-exclusive license under Motorola's copyrights and Confidential Information (as defined in the Primary Agreement) embodied in the Software to use the Software, in object code form, and the Documentation solely in connection with Licensee's use of the Designated Products. This Agreement does not grant any rights to source code.

3.2. If the Software licensed under this Agreement contains or is derived from Open Source Software, the terms

and conditions governing the use of such Open Source Software are in the Open Source Software Licenses of the copyright owner and not this Agreement. If there is a conflict between the terms and conditions of this Agreement and the terms and conditions of the Open Source Software Licenses governing Licensee's use of the Open Source Software, the terms and conditions of the license grant of the applicable Open Source Software Licenses will take precedence over the license grants in this Agreement. If requested by Licensee, Motorola will use commercially reasonable efforts to: (i) determine whether any Open Source Software is provided under this Agreement; and (ii) identify the Open Source Software (or specify where that license may be found).

3.3 TO THE EXTENT, IF ANY, THAT THERE IS A SEPARATE LICENSE AGREEMENT PACKAGED WITH, OR PROVIDED ELECTRONICALLY WITH, A PARTICULAR PRODUCT THAT BECOMES EFFECTIVE ON AN ACT OF ACCEPTANCE BY THE END USER, THEN THAT AGREEMENT SUPERSEDES THE SOFTWARE LICENSE AGREEMENT AS TO THE END USER OF EACH SUCH PRODUCT.

Section 4 LIMITATIONS ON USE

4.1. Licensee may use the Software only for Licensee's internal business purposes and only in accordance with the Documentation. Any other use of the Software is strictly prohibited. Without limiting the general nature of these restrictions, Licensee will not make the Software available for use by third parties on a "time sharing," "application service provider," or "service bureau" basis or for any other similar commercial rental or sharing arrangement.

4.2. Licensee will not, and will not allow or enable any third party to: (i) reverse engineer, disassemble, peel components, decompile, reprogram or otherwise reduce the Software or any portion to a human perceptible form or otherwise attempt to recreate the source code; (ii) modify, adapt, create derivative works of, or merge the Software; (iii) copy, reproduce, distribute, lend, or lease the Software or Documentation to any third party, grant any sublicense or other rights in the Software or Documentation to any third party, or take any action that would cause the Software or Documentation to be placed in the public domain; (iv) remove, or in any way alter or obscure, any copyright notice or other notice of Motorola's proprietary rights; (v) provide, copy, transmit, disclose, divulge or make the Software or Documentation available to, or permit the use of the Software by any third party or on any machine except as expressly authorized by this Agreement; or (vi) use, or permit the use of, the Software in a manner that would result in the production of a copy of the Software solely by activating a machine containing the Software. Licensee may make one copy of Software to be used solely for archival, back-up, or disaster recovery purposes; *provided* that Licensee may not operate that copy of the Software at the same time as the original Software is being operated. Licensee may make as many copies of the Documentation as it may reasonably require for the internal use of the Software.

4.3. Unless otherwise authorized by Motorola in writing, Licensee will not, and will not enable or allow any third party to: (i) install a licensed copy of the Software on more than one unit of a Designated Product; or (ii) copy onto or transfer Software installed in one unit of a Designated Product onto one other device. Licensee may temporarily transfer Software installed on a Designated Product to another device if the Designated Product is inoperable or malfunctioning, if Licensee provides written notice to Motorola of the temporary transfer and identifies the device on which the Software is transferred. Temporary transfer of the Software to another device must be discontinued when the original Designated Product is returned to operation and the Software must be removed from the other device. Licensee must provide prompt written notice to Motorola at the time temporary transfer is discontinued.

4.4 Licensee will maintain, during the term of this Agreement and for a period of two years thereafter, accurate records relating to this license grant to verify compliance with this Agreement. Motorola or an independent third party ("Auditor") may inspect Licensee's premises, books and records, upon reasonable prior notice to Licensee, during Licensee's normal business hours and subject to Licensee's facility and security regulations. Motorola is responsible for the payment of all expenses and costs of the Auditor. Any information obtained by Motorola and the Auditor will be kept in strict confidence by Motorola and the Auditor and used solely for the purpose of verifying Licensee's compliance with the terms of this Agreement.

Section 5 OWNERSHIP AND TITLE

Motorola, its licensors, and its suppliers retain all of their proprietary rights in any form in and to the Software and

Documentation, including, but not limited to, all rights in patents, patent applications, inventions, copyrights, trademarks, trade secrets, trade names, and other proprietary rights in or relating to the Software and Documentation (including any corrections, bug fixes, enhancements, updates, modifications, adaptations, translations, de-compilations, disassemblies, emulations to or derivative works from the Software or Documentation, whether made by Motorola or another party, or any improvements that result from Motorola's processes or, provision of information services). No rights are granted to Licensee under this Agreement by implication, estoppel or otherwise, except for those rights which are expressly granted to Licensee in this Agreement. All intellectual property developed, originated, or prepared by Motorola in connection with providing the Software, Designated Products, Documentation or related services, remains vested exclusively in Motorola, and Licensee will not have any shared development or other intellectual property rights.

Section 6 LIMITED WARRANTY; DISCLAIMER OF WARRANTY

6.1. Unless otherwise stated in the Primary Agreement, the commencement date and the term of the Software warranty will be a period of ninety (90) days from Motorola's shipment of the Software (the "Warranty Period"). If Licensee is not in breach of any of its obligations under this Agreement, Motorola warrants that the unmodified Software, when used properly and in accordance with the Documentation and this Agreement, will be free from a reproducible defect that eliminates the functionality or successful operation of a feature critical to the primary functionality or successful operation of the Software. Whether a defect occurs will be determined by Motorola solely with reference to the Documentation. Motorola does not warrant that Licensee's use of the Software or the Designated Products will be uninterrupted, error-free, completely free of Security Vulnerabilities, or that the Software or the Designated Products will meet Licensee's particular requirements. Motorola makes no representations or warranties with respect to any third party software included in the Software. Notwithstanding, any warranty provided by a copyright owner in its standard license terms will flow through to Licensee for third party software provided by Motorola.

6.2 Motorola's sole obligation to Licensee and Licensee's exclusive remedy under this warranty is to use reasonable efforts to remedy any material Software defect covered by this warranty. These efforts will involve either replacing the media or attempting to correct significant, demonstrable program or documentation errors or Security Vulnerabilities. If Motorola cannot correct the defect within a reasonable time, then at Motorola's option, Motorola will replace the defective Software with functionally-equivalent Software, license to Licensee substitute Software which will accomplish the same objective, or terminate the license and refund the Licensee's paid license fee.

6.3. Warranty claims are described in the Primary Agreement.

6.4. The express warranties set forth in this Section 6 are in lieu of, and Motorola disclaims, any and all other warranties (express or implied, oral or written) with respect to the Software or Documentation, including, without limitation, any and all implied warranties of condition, title, non-infringement, merchantability, or fitness for a particular purpose or use by Licensee (whether or not Motorola knows, has reason to know, has been advised, or is otherwise aware of any such purpose or use), whether arising by law, by reason of custom or usage of trade, or by course of dealing. In addition, Motorola disclaims any warranty to any person other than Licensee with respect to the Software or Documentation.

Section 7 TRANSFERS

Licensee will not transfer the Software or Documentation to any third party without Motorola's prior written consent. Motorola's consent may be withheld at its discretion and may be conditioned upon transferee paying all applicable license fees and agreeing to be bound by this Agreement. If the Designated Products are Motorola's radio products and Licensee transfers ownership of the Motorola radio products to a third party, Licensee may assign its right to use the Software (other than CPS and Motorola's FLASHport® software) which is embedded in or furnished for use with the radio products and the related Documentation; *provided* that Licensee transfers all copies of the Software and Documentation to the transferee, and Licensee and the transferee sign a transfer form to be provided by Motorola upon request, obligating the transferee to be bound by this Agreement.

Section 8 TERM AND TERMINATION

8.1 Licensee's right to use the Software and Documentation will begin when the Primary Agreement is signed by both parties and will continue for the life of the Designated Products with which or for which the Software and Documentation have been provided by Motorola, unless Licensee breaches this Agreement, in which case this Agreement and Licensee's right to use the Software and Documentation may be terminated immediately upon notice by Motorola.

8.2 Within thirty (30) days after termination of this Agreement, Licensee must certify in writing to Motorola that all copies of the Software have been removed or deleted from the Designated Products and that all copies of the Software and Documentation have been returned to Motorola or destroyed by Licensee and are no longer in use by Licensee.

8.3 Licensee acknowledges that Motorola made a considerable investment of resources in the development, marketing, and distribution of the Software and Documentation and that Licensee's breach of this Agreement will result in irreparable harm to Motorola for which monetary damages would be inadequate. If Licensee breaches this Agreement, Motorola may terminate this Agreement and be entitled to all available remedies at law or in equity (including immediate injunctive relief and repossession of all non-embedded Software and associated Documentation unless Licensee is a Federal agency of the United States Government).

Section 9 Commercial Computer Software

9.1 *This Section 9 only applies to U.S. Government end users.* The Software, Documentation and updates are commercial items as that term is defined at 48 C.F.R. Part 2.101, consisting of "commercial computer software" and "computer software documentation" as such terms are defined in 48 C.F.R. Part 252.227-7014(a)(1) and 48 C.F.R. Part 252.227-7014(a)(5), and used in 48 C.F.R. Part 12.212 and 48 C.F.R. Part 227.7202, as applicable. Consistent with 48 C.F.R. Part 12.212, 48 C.F.R. Part 252.227-7015, 48 C.F.R. Part 227.7202-1 through 227.7202-4, 48 C.F.R. Part 52.227-19, and other relevant sections of the Code of Federal Regulations, as applicable, the Software, Documentation and Updates are distributed and licensed to U.S. Government end users: (i) only as commercial items, and (ii) with only those rights as are granted to all other end users pursuant to the terms and conditions contained herein.

9.2 If Licensee is licensing Software for end use by the United States Government or a United States Government agency, Licensee may transfer such Software license, but only if: (i) Licensee transfers all copies of such Software and Documentation to such United States Government entity or interim transferee, and (ii) Licensee has first obtained from the transferee (if applicable) and ultimate end user an enforceable end user license agreement containing restrictions substantially identical to the ones contained in this Agreement. Except as stated in the foregoing, Licensee and any transferee(s) authorized by this subsection 9.2 may not otherwise use or transfer or make available any Motorola software to any third party nor permit any party to do so.

Section 10 CONFIDENTIALITY

Licensee acknowledges that the Software and Documentation contain Motorola's valuable proprietary and Confidential Information and are Motorola's trade secrets, and that the provisions in the Primary Agreement concerning Confidential Information apply.

Section 11 LIMITATION OF LIABILITY

The Limitation of Liability provision is described in the Primary Agreement.

Section 12 NOTICES

Notices are described in the Primary Agreement.

Section 13 GENERAL

13.1. **COPYRIGHT NOTICES.** The existence of a copyright notice on the Software will not be construed as an admission or presumption of publication of the Software or public disclosure of any trade secrets associated with the Software.

13.2. **COMPLIANCE WITH LAWS.** Licensee acknowledges that the Software is subject to the laws and regulations of the United States and Licensee will comply with all applicable laws and regulations, including export laws and regulations of the United States. Licensee will not, without the prior authorization of Motorola and the appropriate governmental authority of the United States, in any form export or re-export, sell or resell, ship or reship, or divert, through direct or indirect means, any item or technical data or direct or indirect products sold or otherwise furnished to any person within any territory for which the United States Government or any of its agencies at the time of the action, requires an export license or other governmental approval. Violation of this provision is a material breach of this Agreement.

13.3 **FUTURE REGULATORY REQUIREMENTS.** The Parties acknowledge and agree that this is an evolving technological area and therefore, laws and regulations regarding Services and use of Solution may change. Changes to existing Services or the Solution required to achieve regulatory compliance may be available for an additional fee. Any required changes may also impact the price for Services.

13.4. **ASSIGNMENTS AND SUBCONTRACTING.** Motorola may assign its rights or subcontract its obligations under this Agreement, or encumber or sell its rights in any Software, without prior notice to or consent of Licensee.

13.5. **GOVERNING LAW.** This Agreement is governed by the laws of the United States to the extent that they apply and otherwise by the internal substantive laws of the State to which the Software is shipped if Licensee is a sovereign government entity, or the internal substantive laws of the State of Illinois if Licensee is not a sovereign government entity. The terms of the U.N. Convention on Contracts for the International Sale of Goods do not apply. In the event that the Uniform Computer Information Transaction Act, any version of this Act, or a substantially similar law (collectively "UCITA") becomes applicable to a party's performance under this Agreement, UCITA does not govern any aspect of this Agreement or any license granted under this Agreement, or any of the parties' rights or obligations under this Agreement. The governing law will be that in effect prior to the applicability of UCITA.

13.6. **THIRD PARTY BENEFICIARIES.** This Agreement is entered into solely for the benefit of Motorola and Licensee. No third party has the right to make any claim or assert any right under this Agreement, and no third party is deemed a beneficiary of this Agreement. Notwithstanding the foregoing, any licensor or supplier of third party software included in the Software will be a direct and intended third party beneficiary of this Agreement.

13.7. **SURVIVAL.** Sections 4, 5, 6.4, 7, 8, 9, 10, 11 and 13 survive the termination of this Agreement.

13.8. **ORDER OF PRECEDENCE.** In the event of inconsistencies between this Exhibit and the Primary Agreement, the parties agree that this Exhibit prevails, only with respect to the specific subject matter of this Exhibit, and not the Primary Agreement or any other exhibit as it applies to any other subject matter.

13.9. **SECURITY.** Motorola uses reasonable means in the design and writing of its own Software and the acquisition of third party Software to limit Security Vulnerabilities. While no software can be guaranteed to be free from Security Vulnerabilities, if a Security Vulnerability is discovered, Motorola will take the steps set forth in Section 6 of this Agreement.

Exhibit B

PAYMENT

Except for a payment that is due on the Effective Date, Customer will make payments to Motorola within forty-five (45) days after the date of each invoice. Customer will make payments when due in the form of a check, cashier's check, or wire transfer drawn on a U.S. financial institution. If Customer has purchased additional Professional or Subscription services, payment will be in accordance with the applicable addenda. Payment for the System purchase will be in accordance with the following milestones.

System Purchase (excluding Subscribers, if applicable)

100% of the Equipment Price due upon delivery of the equipment (within 45 days).

Staging/PM and Engineering Services

1. 50% of the Staging/PM and Engineering Services Price Due upon Completion of Kickoff/Design Review; and
2. 50% of the Staging/PM and Engineering Services Price due upon Final Acceptance.

If Subscribers are purchased, 100% of the Subscriber Contract Price will be invoiced upon shipment (as shipped).

Motorola shall make partial shipments of equipment and will request payment upon shipment of such equipment. In addition, Motorola shall invoice for installations completed on a site-by-site basis or when professional services are completed, when applicable. The value of the equipment shipped/services performed will be determined by the value shipped/services performed as a percentage of the total milestone value. Unless otherwise specified, contract discounts are based upon all items proposed and overall system package. For invoicing purposes only, discounts will be applied proportionately to the FNE and Subscriber equipment values to total contract price. Overdue invoices will bear simple interest at the maximum allowable rate by state law.

For Lifecycle Support Plan and Subscription Based Services: Motorola will invoice Customer annually in advance of each year of the plan.

The chart below outlines the hourly labor rates for Motorola System Integration resources to be used. The staffing requirements shall be multiplied by the appropriate rate per resource in the table below. The hourly labor rates are fully burdened. The hourly rates per resource type and level are listed in Table 1.

Levels	Resource Types			
	Project Management	System Engineering	System Technologist	Project Administration
4	\$ 290.00	\$ 300.00	\$ 280.00	\$ 200.00
3	\$ 240.00	\$ 250.00	\$ 240.00	\$ 180.00
2	\$ 220.00	\$ 220.00	\$ 220.00	\$ 170.00
1	\$ 190.00	\$ 210.00	\$ 210.00	\$ 160.00

Table 1 - Hourly Rates

These rates apply to ordinary days and times (Monday to Friday during the hours 8am to 5pm). Additional surcharges may apply to work done outside these timeframes. The minimum charge for any resource will be 4 hours. Travel expenses are not included in these rates and may be charged separately. The qualifications of each type and level of resource are defined in the tables found at <https://www.motorolasolutions.com/content/dam/msi/secure/services/labor-rates-exhibit-160408.pdf>. All Motorola System Integration personnel assigned to this project will be classified according these levels. Project Administrative roles are varied and their specific duties and qualifications will be determined by the complexity and requirements of each project.

EXHIBIT D

System Acceptance Certificate

Customer Name: _____

Project Name: _____

This System Acceptance Certificate memorializes the occurrence of System Acceptance. Motorola and Customer acknowledge that:

1. The Acceptance Tests set forth in the Acceptance Test Plan have been successfully completed.
2. The System is accepted.

Customer Representative:

Motorola Representative:

Signature: _____
Print Name: _____
Title: _____
Date: _____

Signature: _____
Print Name: _____
Title: _____
Date: _____

FINAL PROJECT ACCEPTANCE:

Motorola has provided and Customer has received all deliverables, and Motorola has performed all other work required for Final Project Acceptance.

Customer Representative:

Motorola Representative:

Signature: _____
Print Name: _____
Title: _____
Date: _____

Signature: _____
Print Name: _____
Title: _____
Date: _____