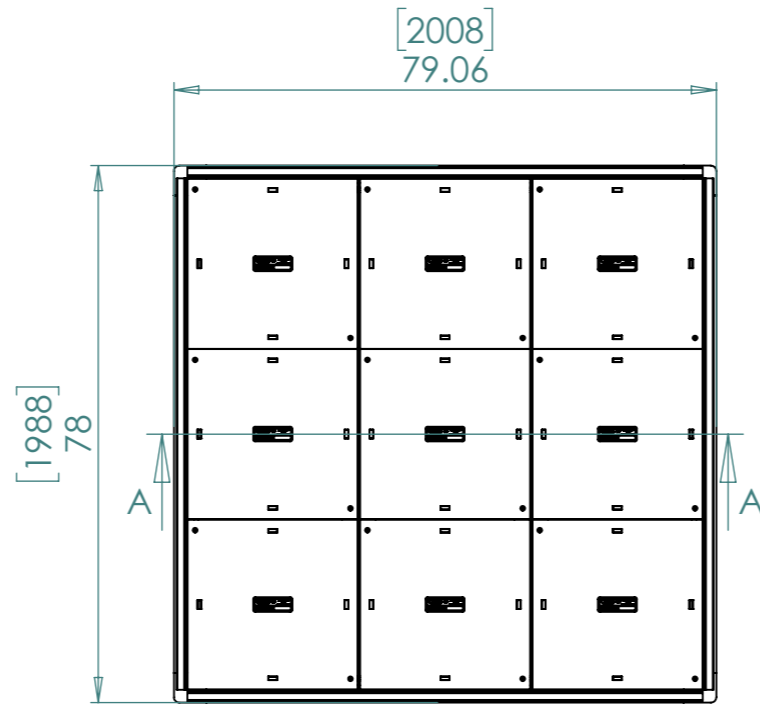
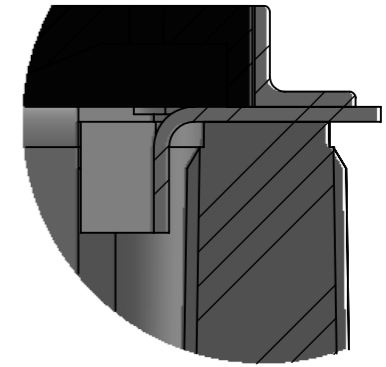


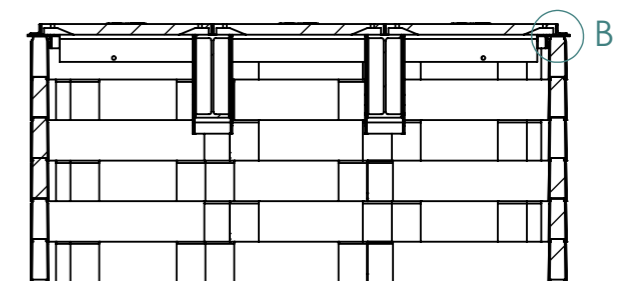
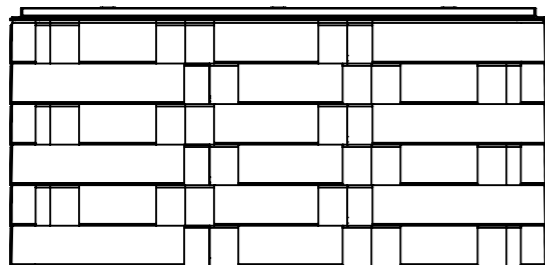
STAKKAbox -
ULTIMA Connect



Frame - Chamber
Seating Detail



DETAIL B



SECTION A-A
SCALE 1 : 28



Copyright of Cubis. No part of this document may be communicated, copied or used without prior permission of Cubis.
www.Cubis-Systems.com

Tolerance unless Otherwise Stated	+0.03, -0.03
Weight	309.50

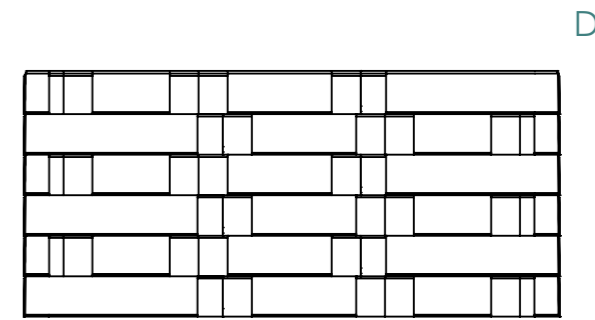
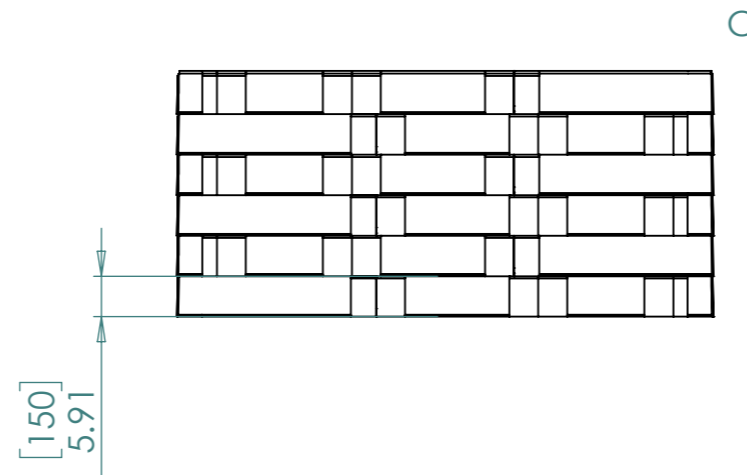
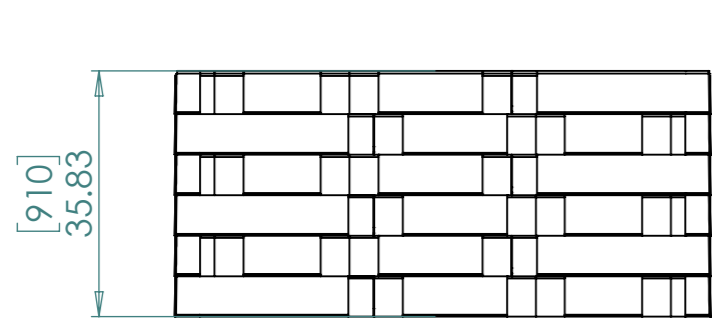
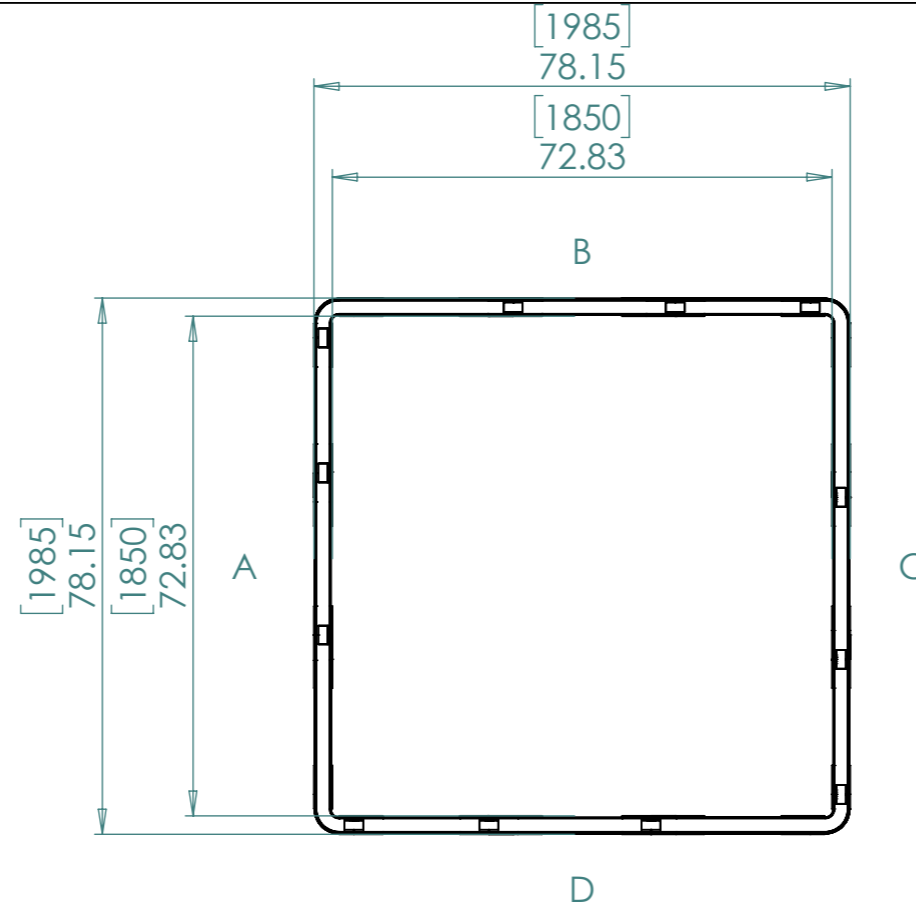
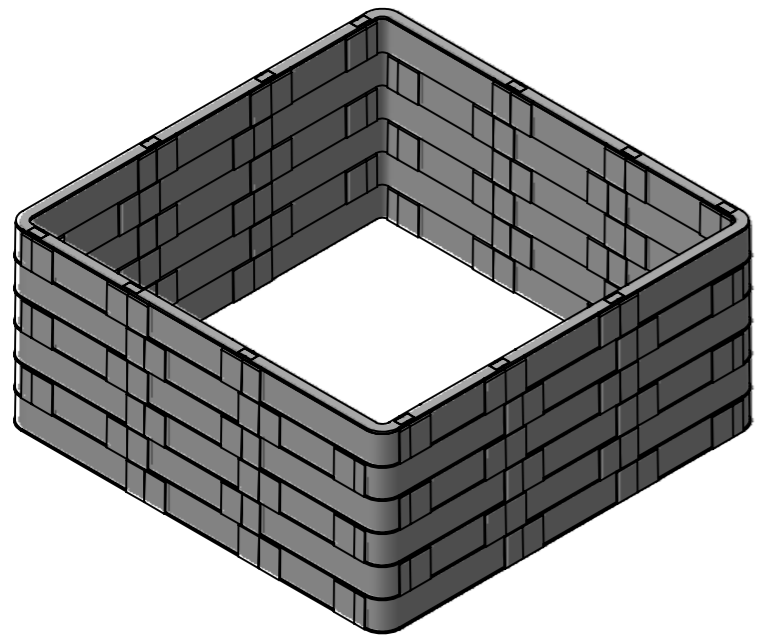
Material	Material <not specified>
Finish	
DIM	Inch

TITLE:	STAKKAbox™ ULTIMA Connect Chamber 1850X1850X900mm With C250 Comp F&C		
SIZE	DWG NO.	SHEET 1 OF 5	REV
A3	Ref No 03787 - 1	0	0

Rev	Date
0	27/02/24

Initial Release	COr	.
Revision Description	Drwn	Appr

For information on backfill please refer to Installation Guide



Copyright of Cubis. No part of this document may be communicated, copied or used without prior permission of Cubis.
www.Cubis-Systems.com

Tolerance unless Otherwise Stated	+0.03, -0.03
Weight	309.50

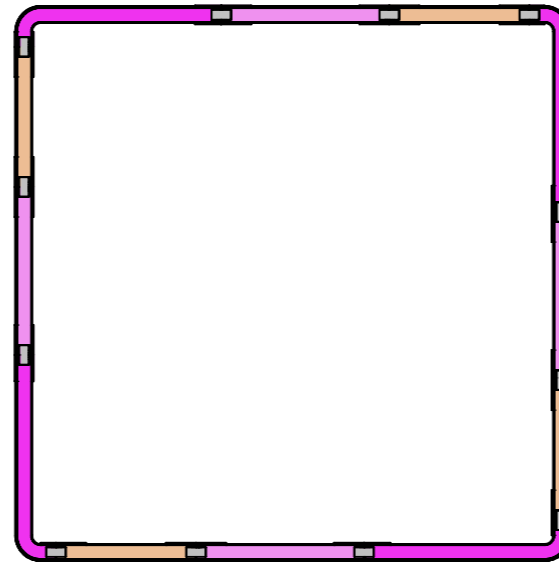
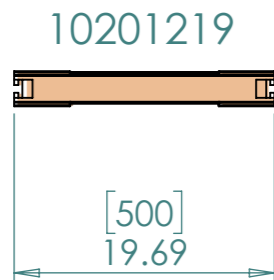
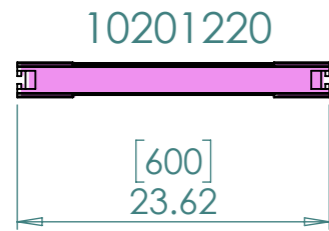
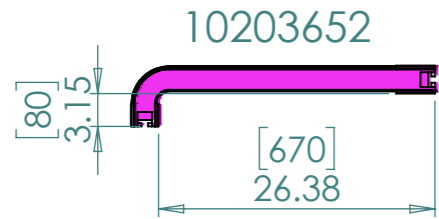
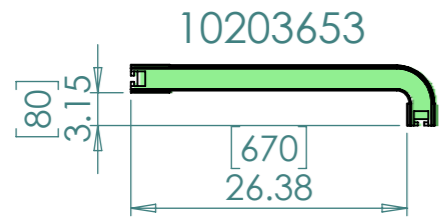
Material	Material <not specified>
Finish	
DIM	Inch

TITLE:	STAKKAbox™ ULTIMA Connect Chamber 1850X1850X900mm With C250 Comp F&C		
SIZE	DWG NO.	SHEET 2 OF 5	REV
A3	Ref No 03787 - 1		0

Rev	Date
0	27/02/24

Initial Release	COr
Revision Description	Drwn Appr

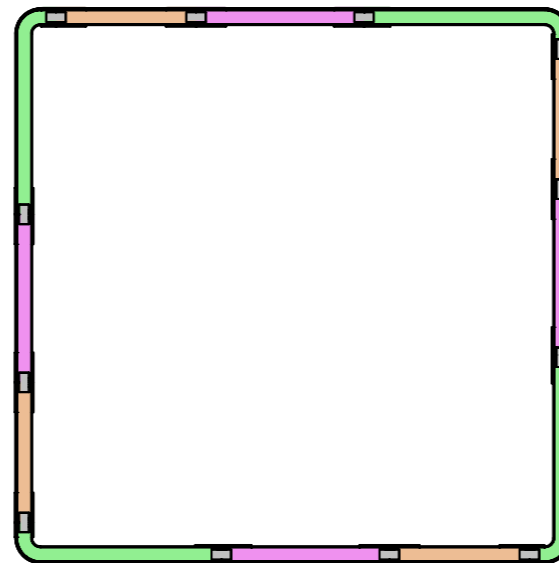
Left Hand Ring Section



Item No	Part Number	Description	Qty
1	10203652	STAKKAbOX™ ULTIMA Connect Left-Hand Corner Section 750mm	4
2	10201220	STAKKAbOX™ ULTIMA Connect Straight Section 600mm	4
3	10201219	STAKKAbOX™ ULTIMA Connect Straight Section 500mm	4
4	10201226	STAKKAbOX™ ULTIMA Connect Connector Peg	12

Right Hand Ring Section

Item No	Part Number	Description	Qty
1	10203653	STAKKAbOX™ ULTIMA Connect Right-Hand Corner Section 750mm	4
2	10201220	STAKKAbOX™ ULTIMA Connect Straight Section 600mm	4
3	10201219	STAKKAbOX™ ULTIMA Connect Straight Section 500mm	4
4	10201226	STAKKAbOX™ ULTIMA Connect Connector Peg	12



Copyright of Cubis. No part of this document may be communicated, copied or used without prior permission of Cubis.
www.Cubis-Systems.com

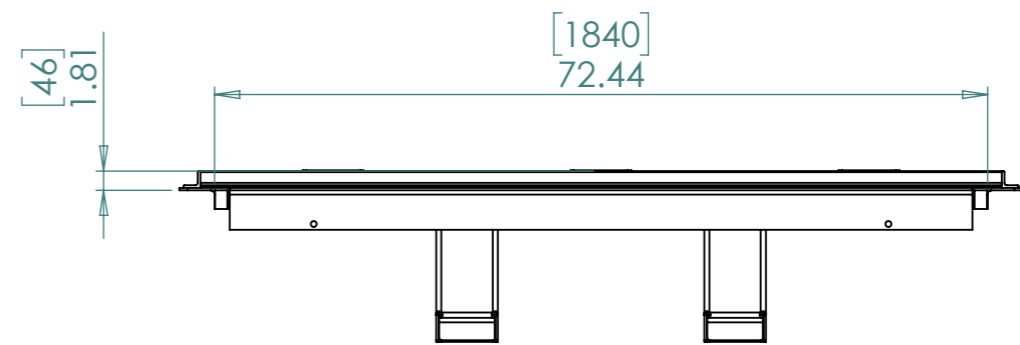
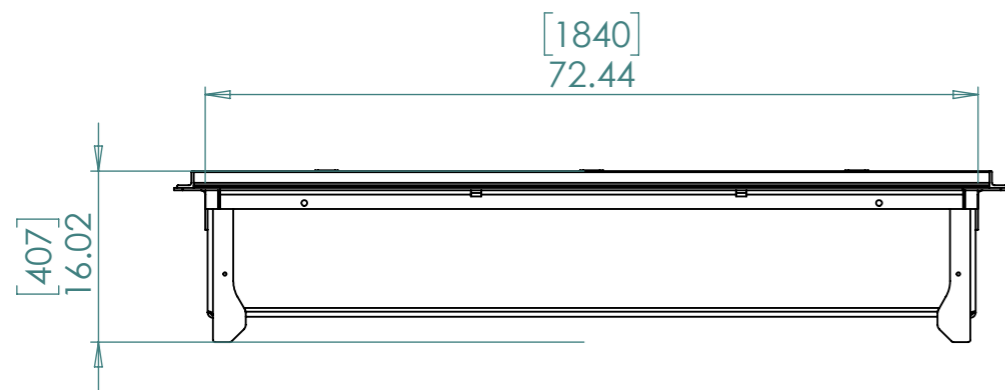
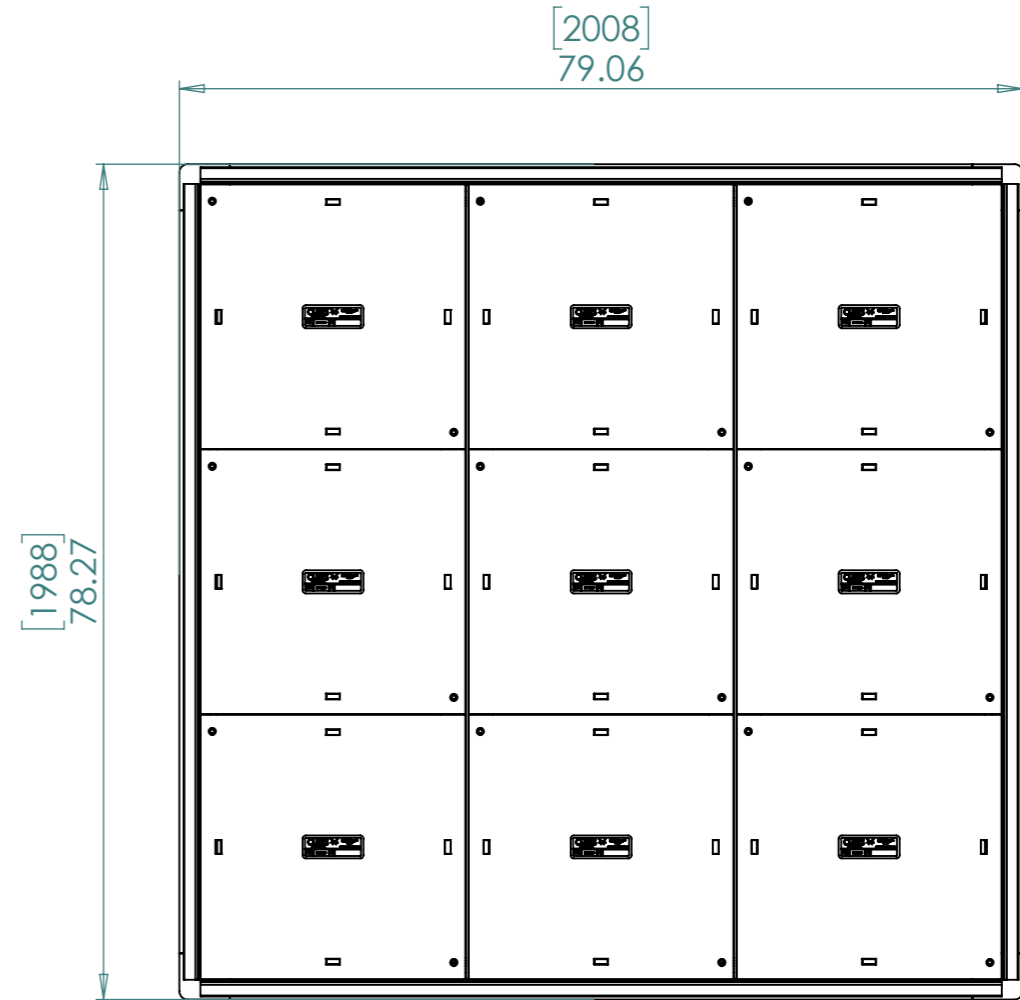
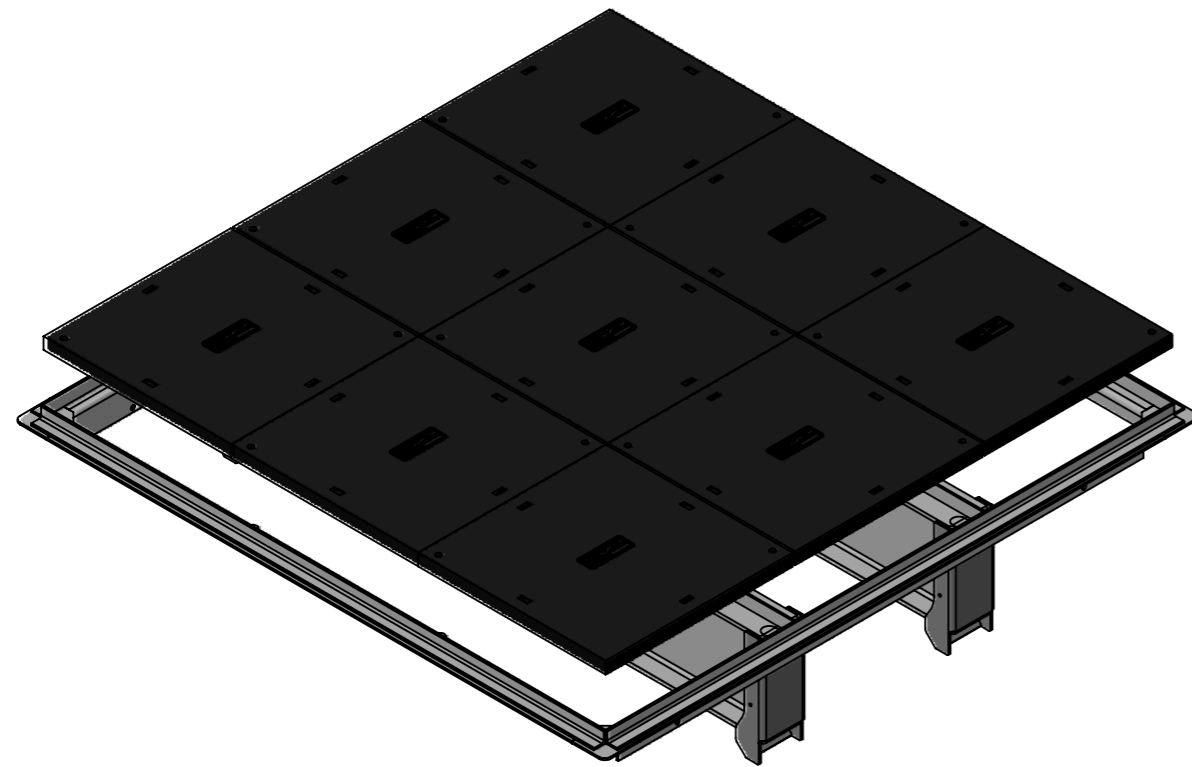
Tolerance unless Otherwise Stated	+0.03, -0.03
Weight	309.50

Material	Material <not specified>
Finish	
DIM	Inch

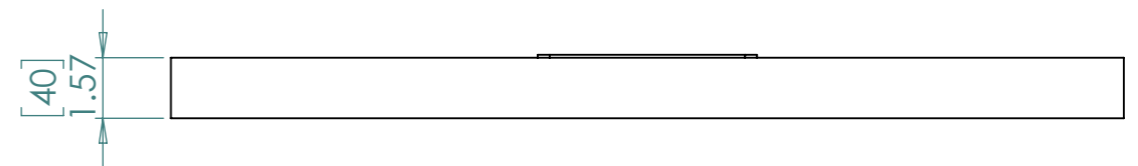
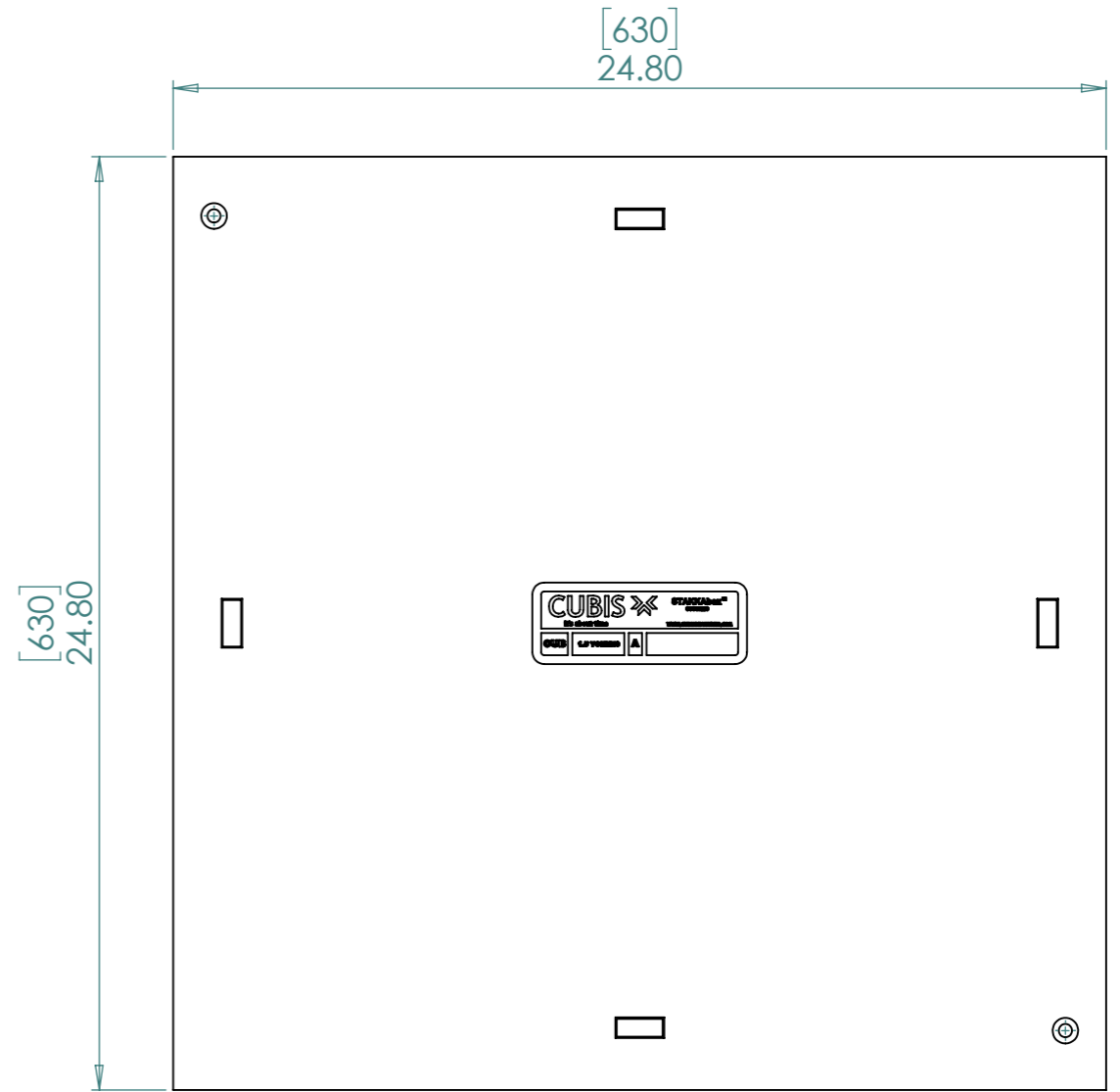
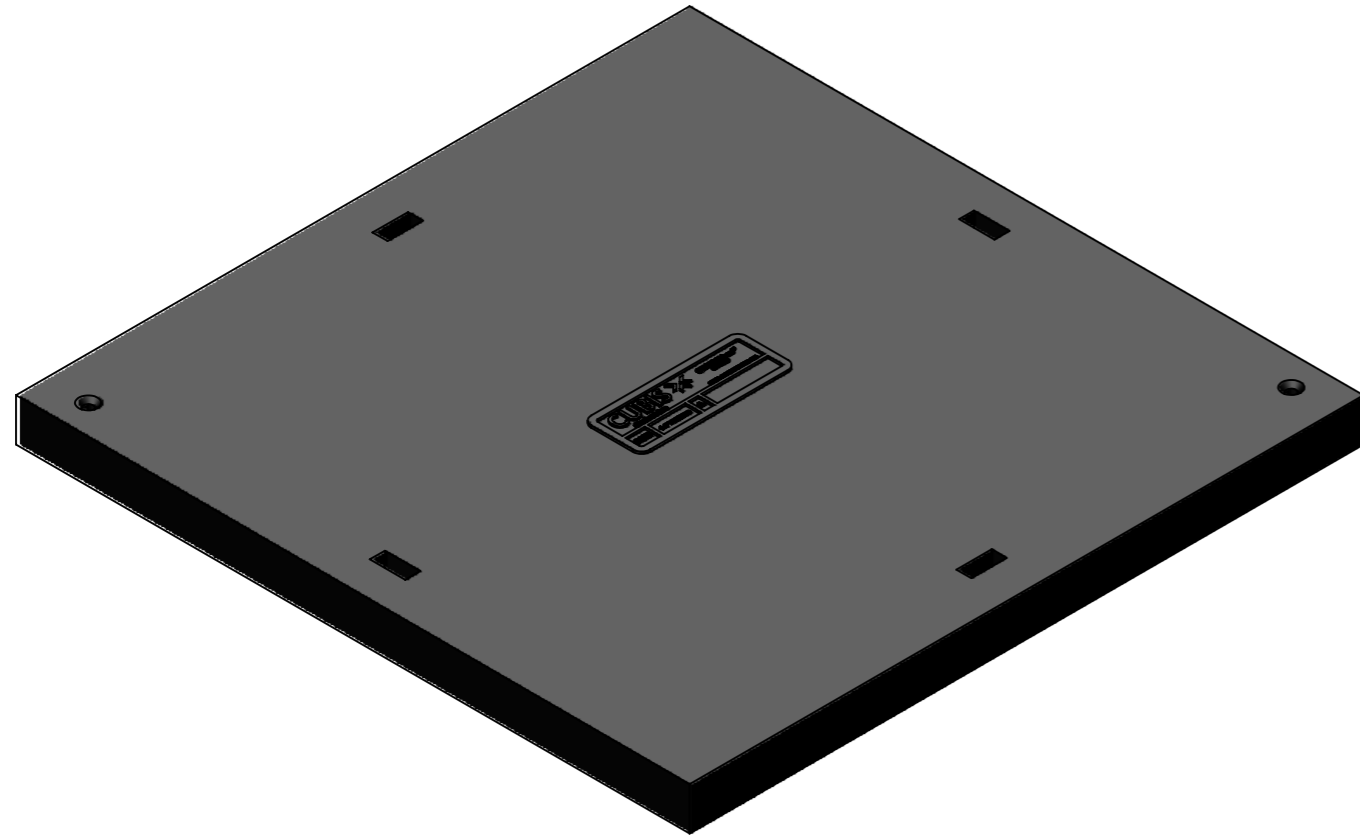
TITLE:	STAKKAbOX™ ULTIMA Connect Chamber 1850X1850X900mm With C250 Comp F&C		
SIZE	DWG NO.	SHEET 3 OF 5	REV
A3	Ref No 03787 - 1		0

Rev	Date	Revision Description	Drwn	Appr
0	27/02/24	Initial Release	COr	.

C250 Composite Cover and Steel Frame



		Copyright of Cubis. No part of this document may be communicated, copied or used without prior permission of Cubis. www.Cubis-Systems.com		Tolerance unless Otherwise Stated	+0.03, -0.03	Material	Material <not specified>	TITLE: STAKKAbOX™ ULTIMA Connect Chamber 1850X1850X900mm With C250 Comp F&C	.	--/--	.	.	
		Weight	309.50	Finish		SIZE	DWG NO.	SHEET 4 OF 5	REV	0	27/02/24	Initial Release	COrr
		DIM	Inch	A3	Ref No 03787 - 1		0	Rev	Date	Revision Description		Drwn	Appr



		Copyright of Cubis. No part of this document may be communicated, copied or used without prior permission of Cubis. www.Cubis-Systems.com		Tolerance unless Otherwise Stated	+0.03, -0.03	Material	Material <not specified>	TITLE: STAKKAbOX™ ULTIMA Connect Chamber 1850X1850X900mm With C250 Comp F&C		.	--/--/--	.	.
		Weight	309.50	Finish		SIZE	DWG NO.	SHEET 5 OF 5	REV	0	27/02/24	Initial Release	COrr
		DIM	Inch	A3	Ref No 03787 - 1		0	Rev	Date	Revision Description		Drwn	Appr